

ST Series Camera

Caution: Equipment Damage

Use the camera with a monitor which has the standard video input impedance level of 75Ω.
Do not attempt to disassemble the camera. There are no user serviceable parts inside.
Do not face the camera towards the sun. It may cause a smear on the picture when the camera is directly facing the sun or spot lights or lights reflecting objects.
Operate the camera in a dry location. Do not expose the camera to rain or moisture. Moisture can damage the camera and create the danger of electrical shock.

Routine Maintenance

Most liquid cleaners or graffiti gel can be used to clean your camera enclosure. Do not use abrasive cleaners that can scratch the window and reduce visibility of the camera.

If the window in your camera is damaged or scratched beyond use, order a replacement window from your camera distributor.

Service and Warranty

If your ST Series Camera is to be returned to Seon Design for service, please call toll free 1-877-630-7366, or 604-941-0880, provide the model and/or serial number of your unit, and ask for a Return Authorization (RA) number. An RA number allows the Service Technicians to better track your product when it comes in for service. Please show the RA number on the outside of the package. **ANY PRODUCT SENT TO SEON DESIGN WITHOUT AN RA NUMBER MAY BE REFUSED.**

Please refer to the Warranty form provided with your product to review the terms of warranty service, contact and shipping information, as well as other important issues regarding the service and operation of your product.

Quick Installation Guide



1 Location

Determine the location for mounting the camera. See Camera Dimensions, Figure 4.

2 Mounting

Mount the bracket to the ceiling using the three screws provided (Figure 1).



Figure 1



3 Attach the Camera

Attach the camera to the bracket with the four screws provided (Figure 2).



Figure 2

Camera Dimensions

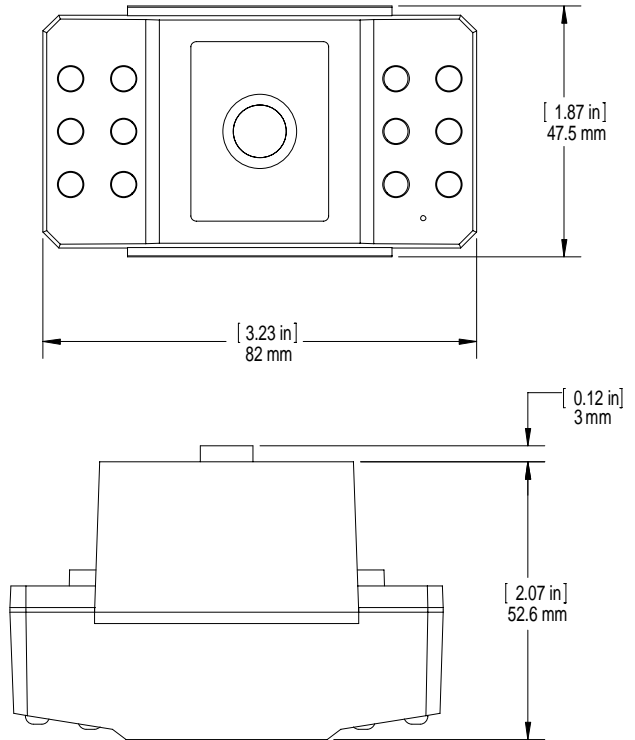


Figure 4

4 Camera Connection

Connect the pigtail cable to the extension cable (Figure 3). Connect the 2×3 Micro-Fit connector into a digital video recorder (DVR).

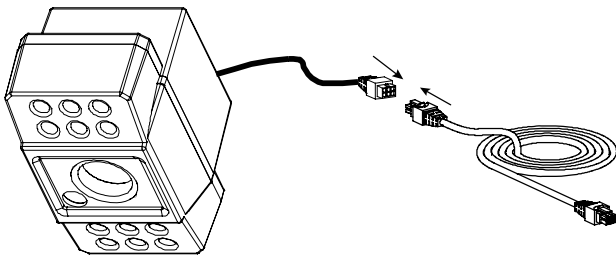


Figure 3

5 Aim the Camera

Connect the video monitor to the DVR if the camera is already connected to the DVR. Adjust the camera's angle of view.

This completes the setup of the ST camera.