

## Routine Maintenance

Most liquid cleaners or graffiti gel can be used to clean your camera enclosure. Do not use abrasive cleaners that can scratch the window and reduce visibility of the camera.

If the window in your camera is damaged or scratched beyond use, order a replacement window from your camera distributor.

## Service and Warranty

If your SQ Series Dome Camera is to be returned to Seon Design for service, please call toll free 1-877-630-7366, or 604-941-0880, and provide the model and/or serial number of your unit. Ask for a Return Authorization (RA) number. An RA number allows the Service Technicians to better track your product when it comes in for service. Please show the RA number on the outside of the package.

**ANY PRODUCT SENT TO SEON DESIGN WITHOUT AN RA NUMBER MAY BE REFUSED.**

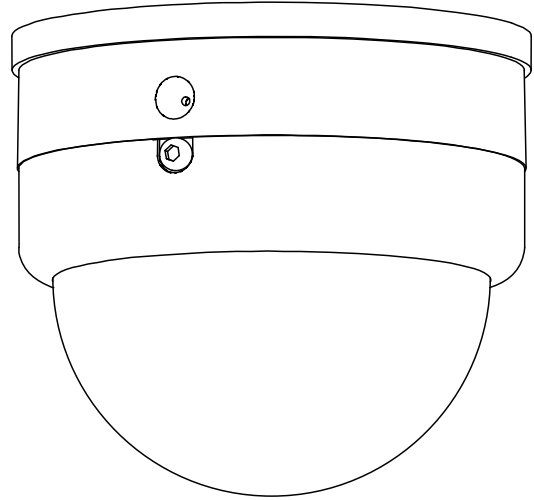
Please refer to the Warranty form provided with your product to review the terms of warranty service, contact and shipping information, as well as other important issues regarding the service and operation of your product.

Information in this guide is subject to change without notice.  
© March 2011 | Seon Design Inc. | All rights reserved.  
[www.seon.com](http://www.seon.com) Printed in Taiwan Part Number: 700-0113 R002



# SEON

## SQ Series Dome Camera Quick Installation Guide



## 1 Location

Determine the location for mounting the camera.

## 2 Preparing the Camera

- 1 Use the hex key supplied with the camera to remove the locking screw. See Figure 1.
- 2 Turn the bezel counter-clockwise to unscrew it from the base.
- 3 Pull the bezel and dome away from the base.

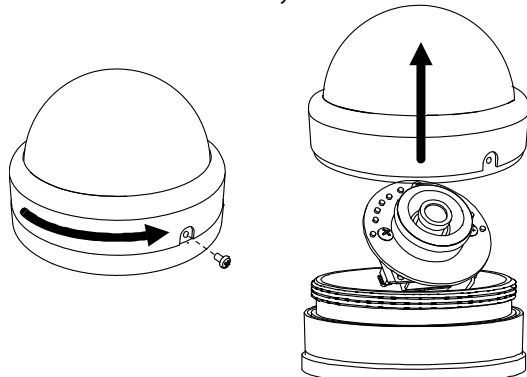


Figure 1



### CAUTION: Equipment Damage

Failure to remove the breakaway panel from the SQ camera during surface cable installation will damage the camera cable.

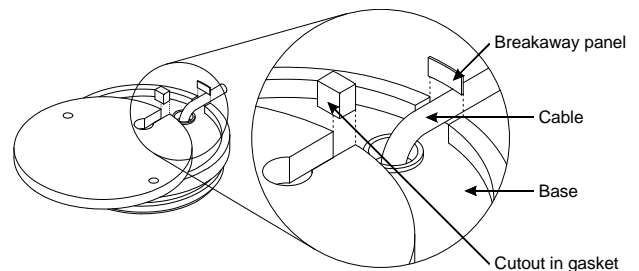


Figure 2

Note: To use surface mounting wiring:

- Use sturdy wire cutters to cut each side of the breakaway panel in the camera base. See Figure 2.
- Use pliers to bend and remove the breakaway panel.
- Use a file to smooth any rough edges that could damage the cable.
- Use a knife to cut out the keyhole in the mounting gasket.

### 3 Mounting the Base

Use the two #8x1" mounting screws and the two rubber washers supplied with the camera to attach the camera to a wall or ceiling. Always put the mounting gasket between the base and the mounting surface. See Figure 3.

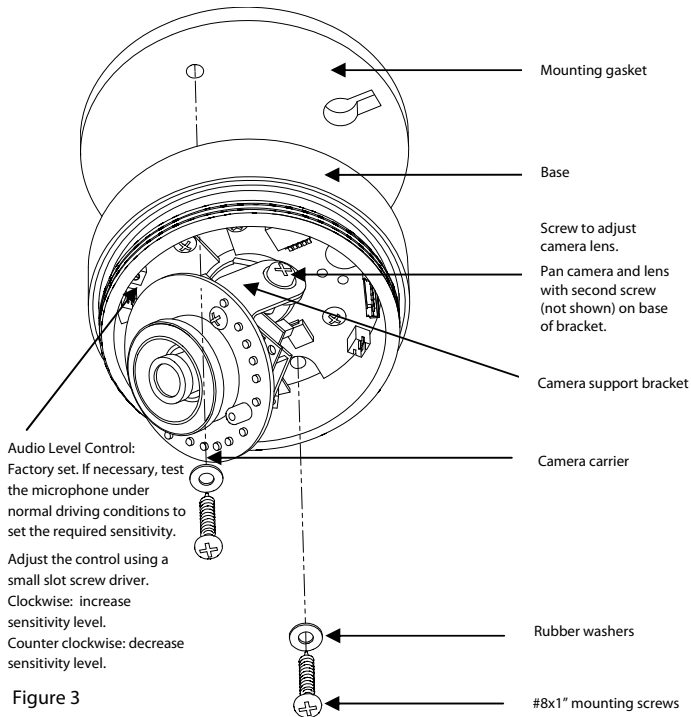


Figure 3

### 5 Aim the Camera

Rotate the camera support bracket and the camera carrier to get the video image you want. Hold the dome in place to make sure it does not block the view. See Figure 5.

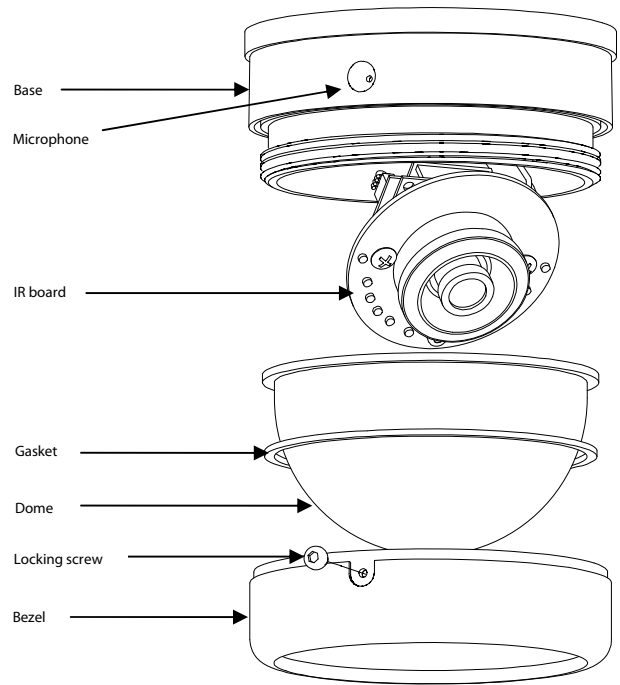


Figure 5

### 4 Connecting the Camera

Connect the pigtail cable to the extension cable. See Figure 4. Connect the 2x3 Micro-Fit connector into a digital video recorder (DVR).

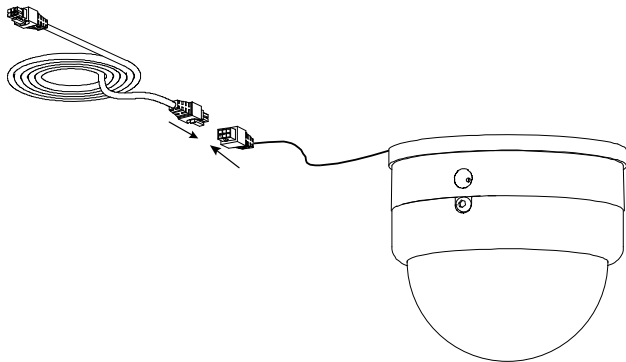


Figure 4

### 6 Mounting the Dome

Fit the bezel and dome onto the base. Turn the bezel clockwise until it is snug. Use the hex key to tighten the locking screw.

#### Replacing the Dome

- 1 If the camera dome is damaged or scratched, order a replacement dome from your camera distributor.
- 2 Use the hex key supplied with the camera to remove the locking screw. Turn the bezel counter-clockwise to unscrew it from the base. See Figure 1.
- 3 Push the damaged dome out of the bezel. Remove the existing neoprene gasket from the bezel.
- 4 Fit a new neoprene gasket over the new dome and press the dome into the bezel.
- 5 Fit the bezel and dome onto the base. Turn the bezel clockwise until it is snug. Use the hex key to tighten the locking screw.