

7 LEDs

Once the 20 pin harness is connected to the LMU Controller, it will have power connected. The LMU Controller is configured to provide vehicle tracking information to vMax Live Plus users. LEDs on the LMU Controller indicate operation status and display operation mode conditions as shown below.

LED Status Indicator			
Comm LED - Orange	Condition	GPS LED - Green	Condition
Off	Modem Off	Off	GPS Off
Slow Blinking	Comm On - Searching	Slow Blinking	GPS On
Fast Blinking	Network Available	Fast Blinking	GPS Time Sync
Fast Blink to Solid	Registered - No Inbound Acknowledgment	Solid	GPS Fix
Solid	Registered - Inbound Acknowledgment		

8 Set Up LMU Controller in vMax Live+

Once the installation is complete, proceed to set up the LMU Controller in vMax Live+ so the AVL tracking capability is enabled.

You can find a detailed description of this process in the LMU Controller Installation Guide.

To learn more about vMax Live+, refer to the vMax Live+ User Manual.

Both documents can be downloaded from the Documentation Library on the Safefleet Community website.

Warranty

For full warranty information, visit:

- <https://community.safefleet.net>

Support

- Phone: 1-844-899-7366
- Email: PTsupport@safefleet.net

LMU 26 & 27 Quick Installation Guide

This guide provides information to install and set up the Location Messaging Unit LMU26 and LMU27 Controllers to provide vehicle tracking to view in vMax Live Plus.

The LMU Controllers work with vMax Live Plus to track fleet and vehicle activity in real time. The Quick Start guide is intended as a reference. See the LMU Controller Installation Guide 700-1132 R2 for detailed procedures.

NOTE: DVR Firmware

When installing the LMU Controller with a DVR, ensure the DVR has the most current firmware. For more information, contact Technical Support.

1 Record Vehicle Installation

From Seon or the customer, the installer gets an Installation Record (see sample below) with the Device ID column populated.

The information is needed to set up the vehicle record in vMax Live Plus.

The Device ID is the 10 digit ESN number on the label on the LMU Controller.

SEON vMax Live Plus Installation Record

Fleet ID: TESTBC01 P/O No.: 1234567 S/O No.: 546321

Installer Name: _____

1. Record the vehicle (Bus) data in the table below.

ESN/Device ID	Vehicle ID (Bus No.)	License Plate	Odometer	Notes	Date Installed
14					
15					
16					
17					
18					
19					
20					
21					
22					
23					
24					
25					
26					

Document Part Number 700-0187 R001 Page 2 of 3



If the Installation Record is unavailable, contact the fleet administrator for it or create a form and record the following vehicle information for each LMU Controller that is installed.

Device ID:	Bus ID:
License Plate No:	Odometer:
FDate Installed:	Notes:

2 Install LMU Controller

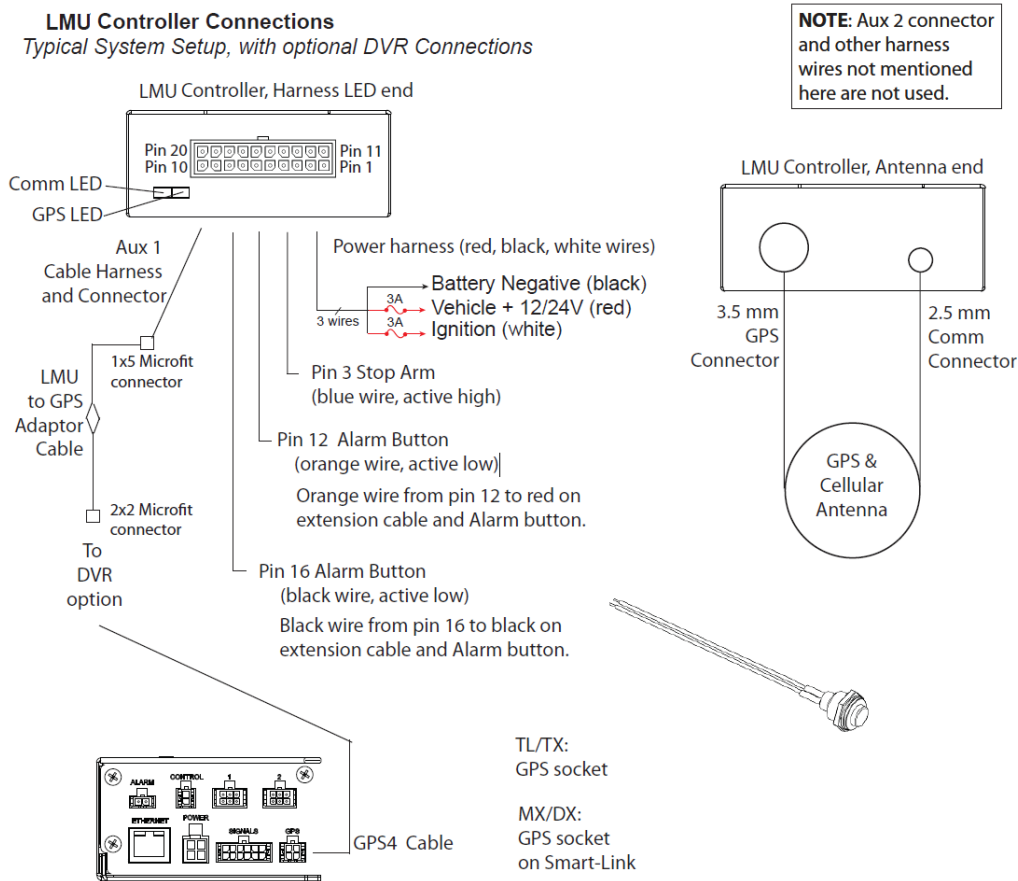
With the supplied alcohol wipe pad, clean the vehicle surface where the LMU Controller will be installed. Choose a dry location with easy access to the electrical panel and cable connections, including the antenna's.

Using the provided Velcro, attach the LMU Controller to a secure location. Install in the front of the vehicle where the LEDs can be seen.

The unit can be mounted in any direction.

3 Connect LMU Controller

Use the following diagram to connect the LMU Controller with the other system components.



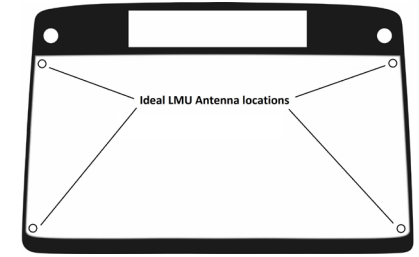
IMPORTANT

If the LMU is being connected to a DVR and the DVR has a GPS4 unit installed, the GPS4 unit can be removed. The LMU Controller replaces GPS4 functionality on the DVR.

4 Install the Antenna

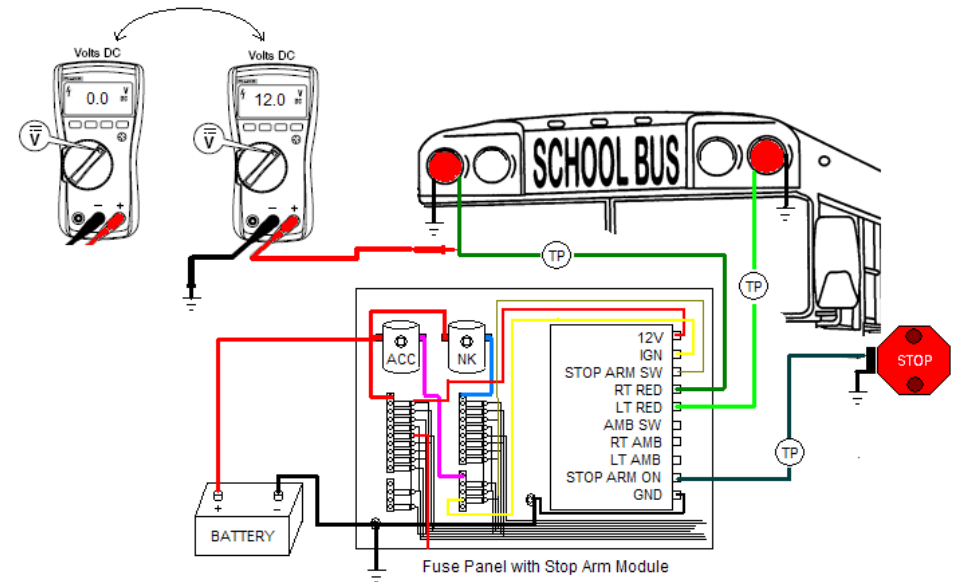
Find an appropriate spot on the inside of the front windshield out of the way of the driver's view to install the GPS/Cellular Antenna on a glass surface, not metal.

Use the provided isopropyl alcohol wipe pad to clean the vehicle surface before installation.



5 Install Signal Connections

Install signal connections as required.



6 Hardware Checklist

Confirm the following are all complete for the LMU Controller installation.

✓	Harnesses	✓	System
	The voltage at the power supply cable is at least 11 VDC		Switch the vehicle ignition ON
	Cables and the harnesses are properly secured		Confirm DVR firmware is up to date
	No sharp metal edges are touching the cables or harnesses		LMU Controller LED indicators work properly
	Connections are solid (no shorts).		GPS sensor and cable connections to DVRs are working
✓	LMU Controller	✓	Installation Record Details
	Check for tight mounting of hardware and connections		165mm (6.5")