

# HD3U

## Ultra-wide High-definition Camera

### Sharper Images, Wider Views

Capture a wider field of view with sharper, more detailed images with this high-definition camera. See the full length of the bus for cross-view applications, capturing both the stepwell and driver view in a single view.



**Works with:** TH6 & TH8 DVRs

#### ■ Sharper images even in low light

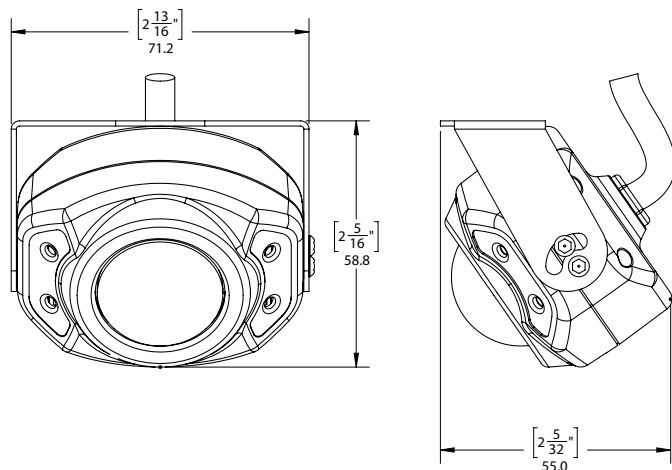
Capture high-definition images in 1080p resolution with infrared LED for challenging light conditions.

#### ■ Small Footprint. Wide Views.

This camera may be small in size, but delivers an ultra-wide 171° view of the full length of the vehicle interior.

#### ■ Easy Install

Simple to install, aim and position, with no complicated programming or IP networking required.



### Key Features

- 1080p progressive scan resolution
- Infrared LEDs to see in low light
- Ultra-Wide viewing angle
- True Day/Night Operation
- High-fidelity audio

Mechanical/General	
Enclosure Material	Die-cast Aluminum (Powder-Coated)
Viewing Window	Polycarbonate
Bracket Material	SUS304
Dimensions (H x W x D)	Height 53.55mm; Width 68.60mm; Depth 63.74mm (with Bracket)
Weight (including bracket)	177g
Optical	
Image sensor	1/2.8" CMOS 2MP (1080P)
Lens	1.72mm (F2.0)
FOV	H:171, V:88
True Day/Night (TDN)	IR cut filter
Shutter speed	1/30 ~ 1/50,000
Resolution / Video Format	1080p 30fps* AHD 2.0 (16:9 aspect ratio) *TH6 supports a maximum of 15 fps
Electrical	
S/N ratio	≥ 46db (SNR1 lux: 0.23lx)
Camera sensitivity	0 Lux (with IR) at TDN (B/W)
IR	4 LEDs 30ft distance
Power consumption	IR Off = 1.4W, IR On = 4.2W
Voltage Range	9 to 14 VDC
Transient Protection	1.5 kW
Environmental	
Environmental Rating	IP67
Operating Temperature	-4 to 122°F (-20 to 50°C)

1035-HD3U-SS-ST-072419

Copyright ©2019 FleetMind Seon Solutions Inc., a division of Safe Fleet. All rights reserved. No part of this publication may be reproduced by any means without written permission from FleetMind Seon Solutions Inc. The information in this publication is believed to be accurate. However, FleetMind Seon Solutions Inc. does not assume responsibility for any consequences resulting from use thereof. The information contained herein is subject to change without notice. Revisions or new editions to the publication may be issued in our discretion to incorporate such changes. IMPORTANT NOTICE: No system can prevent all incidents. Inattentive drivers, weather, erratic student behavior, and other factors can inhibit detection and overall system performance. Drivers must always keep proper lookout.

1.877.630.SEON  
www.seon.com

**SEON**  
A Safe Fleet Brand