

## Routine Maintenance

Most liquid cleaners or graffiti gel can be used to clean your camera enclosure. Do not use abrasive cleaners that can scratch the window and reduce visibility of the camera. If the window in your camera is damaged or scratched beyond use, order a replacement window from your camera distributor.

## Service and Warranty

If your FG IR Bullet Camera is to be returned to Seon Design for service, please call toll free 1-877-630-7366, or 604-941-0880, provide the model and/or serial number of your unit, and ask for a Return Authorization (RA) number. An RA number allows the Service Technicians to better track your product when it comes in for service. Please show the RA number on the outside of the package. **ANY PRODUCT SENT TO SEON DESIGN WITHOUT AN RA NUMBER MAY BE REFUSED.**

Please refer to the Warranty form provided with your product to review the terms of warranty service, contact and shipping information, as well as other important issues regarding the service and operation of your product.

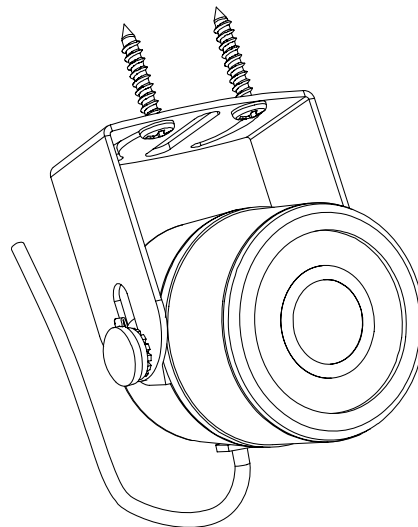
Information in this guide is subject to change without notice.  
© January 2010 Seon Design Inc. All rights reserved.  
[www.seon.com](http://www.seon.com) Printed in Canada Part Number: 700-0105 R001



**SEON**  
Mobile Surveillance

## FG IR Bullet Camera

### Quick Installation Guide



## 1 Location of the Camera Bracket

### Important

Ensure that the location selected to mount the camera allows for the running of camera wiring towards the DVR.

- 1 Determine the location for mounting the camera bracket.
- 2 Drill a hole through the mounting surface of the vehicle in the opening of the camera bracket.
- 3 Attach the camera bracket to the mounting surface using the 2 screws provided. See Figure 1.

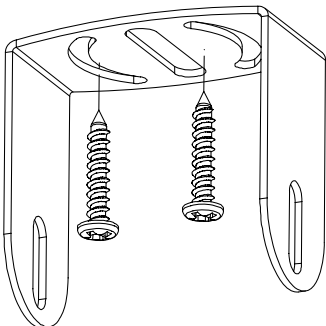


Figure 1

## 2 Installing the Camera

Attach the camera to the mounting bracket using the supplied lock washers, screw caps, and screws in the order shown in Figure 2. The tilt angle of the camera can be adjusted by moving the camera.

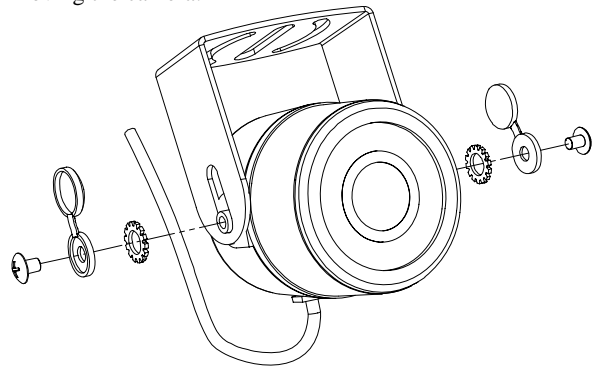


Figure 2

## 3 Connecting the Camera

Connect the pigtail cable to the extension cable. Connect the 2 x 3 Micro-Fit connector into a digital video recorder (DVR).