

DS2 – Two-Camera Vehicle Event Recording System

Quick Installation and Setup Guide

Before you Begin...

This process involves mounting cameras and running cables through the vehicle interior. It is helpful to have some familiarity with installing automotive accessories.

Warning: It is your responsibility to avoid damaging safety or electrical systems.

DS2 may interfere with on-board collision avoidance systems utilizing forward facing cameras. Consult your vehicle's Owner's Manual or your dealer if you're unsure whether your vehicle uses this technology. To confirm if DS2 is compatible with your vehicle, please consult <https://community.seon.com/ds2-unsupported-vehicle-list/> or contact the Seon service team.

Impairing or interfering with the operation of an airbag is a critical safety concern. If you are not confident in your ability to perform the procedures in this Guide, please consider contacting Seon Support to schedule a professional installation.

Check that you received all system components:



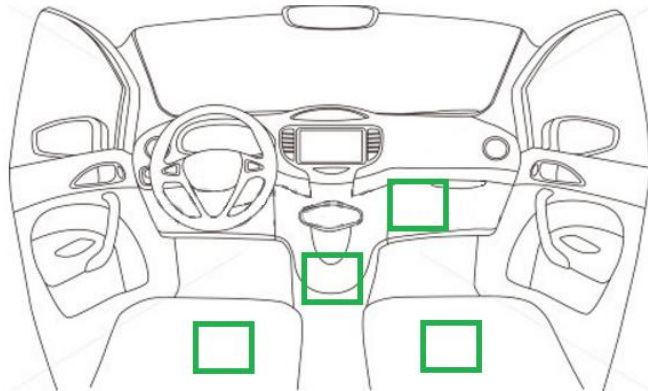
DS2 – Two-Camera Vehicle Event Recording System

Step 1: Determine Installation Locations

Think about placement of cameras and the Control Unit, and confirm the positions will work for the images you want to capture. Make sure you consider cable lengths and how they will run between components:

| Cable Run | Cable Length |
|---|--------------|
| Camera 1 to the Control Unit | 10 feet |
| Camera 1 to Camera 2 <i>*an optional extension is available (contact Seon Support)</i> | 43 inches* |
| Power connections to Control Unit | 5 feet |

Control Unit – here are a few good options:



Camera 1 - forward-facing, on the windshield; behind the mirror works well:



- Ensure mirror adjustment will not be impeded.
- Avoid areas with metal sun diffusers or other obstructions: mount on clear glass.

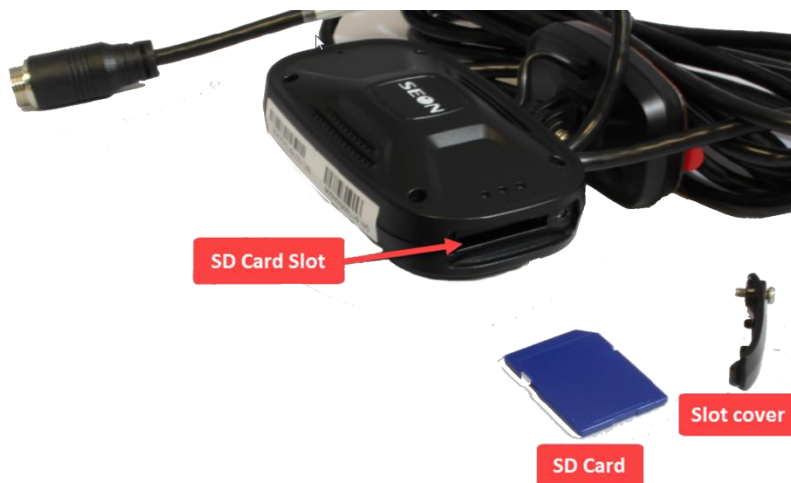
DS2 – Two-Camera Vehicle Event Recording System

Camera 2 - on the headliner or a bulkhead (to capture passengers, driver, or cargo):



- Do not mount to a surface that cannot support the camera's weight or is subject to constant vibration.
- If you want to attach to the headliner, ensure you insert something stronger than cardboard underneath to hold the screws.

Step 2: Insert the SD Card into Camera 1



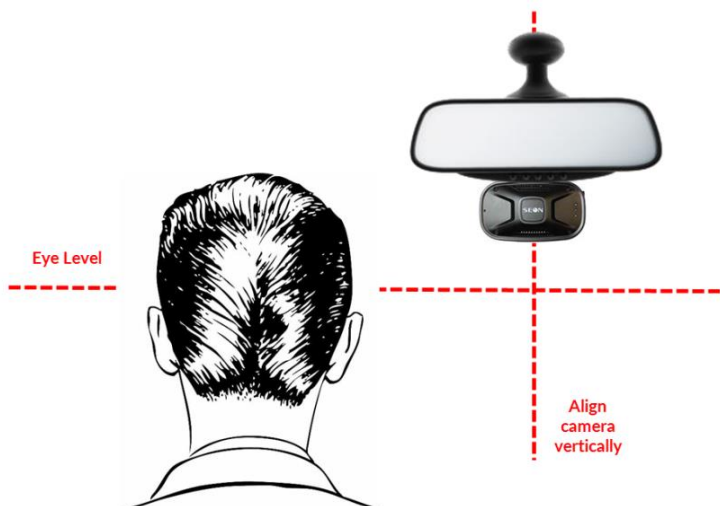
1. Use the supplied Torx security key to loosen the screw holding the SD card slot cover on the side of Camera 1 and remove the cover.
2. Slide the SD Card into the SD card slot. The card only fits one way: push it in gently until it clicks in place.
3. Replace the slot cover and tighten the screw.

DS2 – Two-Camera Vehicle Event Recording System

Step 3: Mount Camera 1 on the Windshield



1. Clean the area where the mount will contact the windshield (alcohol swab is recommended).
2. Peel off the red adhesive backing from the mount.
3. Face the camera outward (SEON logo visible from inside the vehicle).
4. Ensure the camera body is aligned horizontally (not skewed).
5. Press the mount firmly to the windshield.
6. Adjust the vertical camera position to match the driver's plane of view:



DS2 – Two-Camera Vehicle Event Recording System

Step 4: Mount Camera 2



1. Use the supplied Allen key to loosen the 3 set screws and separate the mounting plate from the housing.
2. Thread the cable through the plate and attach the flat side to the mounting surface with the 3 screws.
3. Re-assemble the camera/housing.
Aim the camera appropriately before fully tightening the set screws.



DS2 – Two-Camera Vehicle Event Recording System

Step 5: Install the Control Unit

1. Place the Control Unit in the desired location. Leave room to connect the cables.
2. Plug the Power Harness into the **Power/Sensor** input on the Control Unit.
3. Make the following electrical connections from the Power Harness to the vehicle:

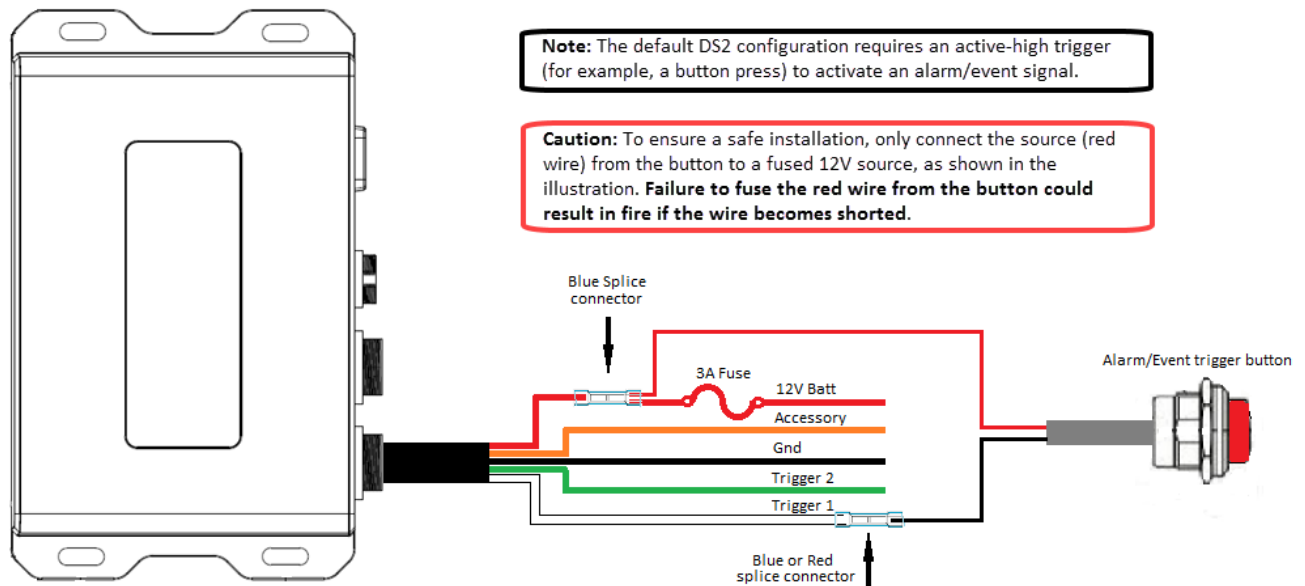
| Wire Colour/Label | Connects to... |
|-------------------|-------------------------------------|
| Red/DC IN+ | Battery source |
| Orange/ACC | Fused Ignition source/ Accessory |
| Black/DC IN- | Chassis ground |



Step 5a (optional): Install the Alarm/Event Trigger Button

If the installation includes the optional Alarm/Event trigger button, make the following additional connections from the Power Harness (in the diagram, the white/SENSOR IN1 wire is labeled Trigger 1 and the green/SENSOR IN2 wire is labeled Trigger 2):

Note: The optional Alarm/Event Trigger Button (WSA20) ships with a 1x2 Micro-Fit connector. You need to cut the Micro-Fit off of the cable before making the Power Harness connections shown below.



DS2 – Two-Camera Vehicle Event Recording System

Step 6: Run/Connect Camera Cables

Warning: The “A” pillar (beside the windshield) may contain an air bag. Do not attempt to run cables down the “A” pillar unless you are sure you understand how the safety system may be affected.



- Connect **CAM** from Camera 1 to the cable from Camera 2.
- Connect **OBD** from Camera 1 to the **IPC** input on the Control Unit.

Step 7: Verify Operation

Turn on the vehicle ignition and ensure the red light on Camera 1 is illuminated, indicating the system has power and is operational. If the red light does not come on, check the Power Harness connections.



DS2 – Two-Camera Vehicle Event Recording System

Contact Technical Support

Service & Support service@seon.com

Product Information sales@seon.com

Toll-free phone 1.844.899.7366

Web site <https://community.seon.com/ds2/>

If you do not have login credentials for the Community, please contact Technical Support.

Complete Seon warranty details are available online at:

<http://www.seon.com/documents/Seon-Warranty.pdf>