

## Lens Specifications

Lens Size (mm)	2.9	3.6	6	8	12	16
Horizontal Viewing Angle	90°	74°	42°	32°	22°	15°
Vertical Viewing Angle	67°	55°	32°	24°	17°	11°
Relative Aperture	F2.0	F2.0	F2.0	F2.2	F2.2	F2.5

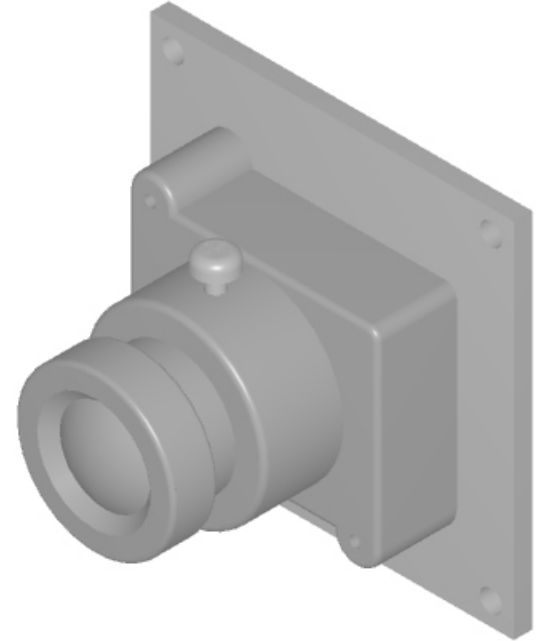
## Service and Warranty

If your CCTV camera lens is to be returned to Seon Design for service, please call toll free 1-877-630-7366, or 604-941-0880, provide the model and/or serial number of your unit and ask for a Return Authorization (RA) number. An RA number allows the Service Technicians to better track your product when it comes in for service. Please show the RA number on the outside of the package. ANY PRODUCT SENT TO SEON DESIGN WITHOUT AN RA NUMBER MAY BE REFUSED.

Please refer to the Warranty form provided with your product to review the terms of warranty service, contact and shipping information, as well as other important issues regarding the service and operation of your product.

**SEON**  
Mobile Surveillance

## CCTV Camera Lenses Installation Guide



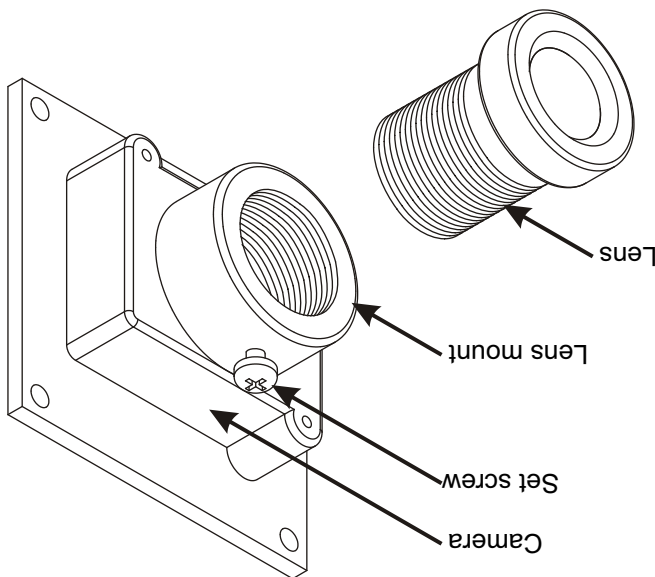
Information in this guide is subject to change without prior notice.

© 2007 Seon Design™ Inc.  
Printed in Canada.

www.seon.com All rights reserved.  
Document Part Number: 700-0025 R002



## Changing and Focusing the Camera Lens



1 Use a small Phillips screwdriver to loosen the set screw on the lens mount.

2 Turn the lens counterclockwise to remove it from the lens mount.

3 Carefully turn the new lens clockwise to install it into the lens mount.

**CAUTION!** The lens should turn easily. Forcing the lens may permanently damage the threads and require replacement of the camera.

4 Connect the camera to a video monitor and a power supply.

5 Position the camera to get the image you want to see on the video monitor.

6 Turn the lens to adjust the focus of the image on the video monitor.

**NOTE:** For dome cameras, always check the focus with the dome installed to allow for the magnification properties of the dome.

7 When the lens is focused, gently tighten the set screw.

**CAUTION!** Over tightening the set screw may damage the threads on the lens.