

Underseat Mounting Bracket Kit

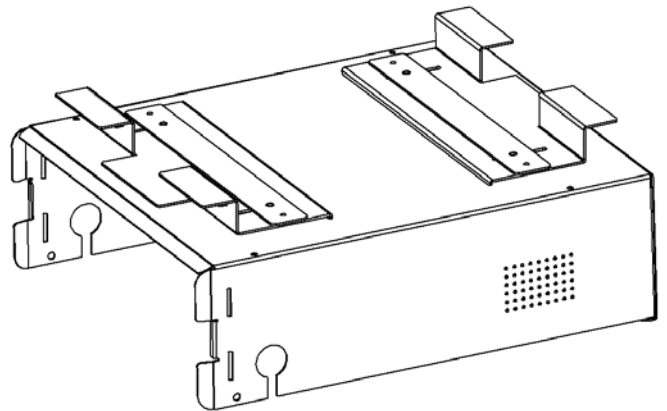
Installation Guide

Service and Warranty

If your product is to be returned to Seon Design for service, please call toll free 1-877-630-7366, or 604-941-0880 and ask for a Return Authorization (RA) number. An RA number allows the Service Technicians to better track your product when it comes in for service. Please show the RA number on the outside of the package. **ANY PRODUCT SENT TO SEON DESIGN WITHOUT AN RA NUMBER MAY BE REFUSED.**

Please refer to the Warranty form provided with your product to review the terms of warranty service, contact and shipping information, as well as other important issues regarding the service and operation of your product.

Information in this Guide is subject to change without notice.
© May 2007 Seon Design Inc. All rights reserved.
www.seon.com Printed in Canada
Document Part Number: 700-0014 R001



1 Features

The Underseat Mounting Brackets are designed to allow the Scout™ VCR, Trooper® or Explorer™ DVRs to be mounted underneath the seat of a standard bus. Features of the mounting brackets include:

- Quick installation with no holes drilled into the seat frame
- Slide brackets which accommodate seat supports from 11" to 13" apart
- Use of heavy 16 gauge cold-rolled steel with durable epoxy powder paint coating.

2 Installation

- 1 Unlock and remove the front door of the lock box and slide the VCR/DVR unit out.
- 2 Remove the lid of the lock box by removing the two Philips machine screws on either side of the lid.
- 3 Loosely attach one of the underseat mounting brackets to the enclosure base.
- 4 Position a slide bracket with the anti-vibration foam over the holes in the base. Position a clamp bracket over the slots in the slide bracket and the holes in the base.
- 5 Use the flat washers and the nylon locking hex nuts provided to ensure the bracket does not vibrate loose.
- 6 Hook the attached mounting bracket over one of the seat supports and then attach the second mounting bracket. Slide the brackets apart to press up against the seat supports to ensure a snug fit.
- 7 Tighten up the attaching hex nuts using a ratchet or nut-driver.
- 8 Re-attach the lock box lid and install the VCR/DVR unit.

