

Specifications

48 V POE Inserter	
Input	12VDC/1.5A to 16VDC/1.1A.
Output	48 VDC, up to 15.4 W max. IEEE 802.3af compliant. Short circuit protection.
Ethernet	Connectivity: RJ45, auto-crossover. Wire type: 4-pair CAT5e. Distance: up to 100 m. Speed: 10/100BaseT, half/full duplex, auto negotiation.
Indicators (LED)	Red LED: Port status. Yellow & Green LED (by RJ45 jack): IP Link status, 10/100Base-T/active.
Agency Listings	UL/cUL: UL60950-1 (Information Technology Equipment). CE European Conformity.
Dimensions (W x L x H)	2.5" x 3.8" x 1" (63.5 mm x 96.52 mm x 25.4 mm).
Weight (approx.)	Product Weight: 0.2 lbs. (0.1 kg). Shipping Weight: 0.25 lbs. (0.11 kg).
Temperature	Operating: 0° C to 40° C (32° F to 104° F). Storage: -40° C to 70° C (-40° to 158° F).
Relative Humidity	85% +/-5%.
Operating Altitude:	-304.8 to 3,048 m (-1000 to 10,000 ft.).

12 V POE Injector Adapter Harness	
Materials	UL Rated Materials, Meets RoHS Requirements
Voltage Rating	60VDC Maximum
RJ45 Jack	Shielded CAT5 Rated, Gold Plated Contacts
RJ45 Power Pins	4, 5 (+) 7, 8 (-)
DC Wire Size	28AWG x 4
CAT5 Wire Size	24AWG x 8, Shielded
Cable Length	165mm (6.5")
Total Length	254mm (10")
Weight	31 g (1.1 oz)
Operating Temp	-40°C to 80°C (-40°F to 176°F)

Warranty

For full warranty information, visit:

- www.seon.com/documents/Seon-Warranty.pdf



2002/96/EC (WEEE directive): This product cannot be disposed of as unsorted municipal waste in the European Union. For proper recycling, return the product to your local supplier upon the purchase of equivalent new equipment, or dispose of it at designated collection points, for more information, see www.recyclethis.info.

2006/66/EC (battery directive): This product does not contain batteries.

Support

- Phone: 1-844-899-7366
- Email: service@seon.com

TH8 POE Injector Quick Installation Guide

About

This guide covers the the installation procedures for connecting a 12 V or 48 V POE (Power Over Ethernet) injector kit to a TH8 recorder.

A POE injector kit lets the TH8 recorder connect up to 2 additional IP cameras via its expansion ports. This increases the recorder's maximum channel count from 8 to a potential 10.

Note that the 12 V and 48 V POE injectors kits are separate, distinct products. This guide covers the installation procedure for both kits. Ensure that you are following the proper installation procedure for your kit.

Pre-requisites

Before proceeding with this document, you must first have a **TH8 recorder with FW 2.0** or higher installed and functioning in a vehicle. Do not proceed with this document if you still haven't installed the TH8 recorder. The TH8 Installation Guide (Part #: 700-1123) can be found on the Safe Fleet Community (community.seon.com/documents/).

Note: You will need login credentials to access the documentation. Please contact tech support if you do not have access to the Community.

Kit Contents (1 kit required per camera added)

48 V POE Injector Kit (Part #: TH8POEKIT48):

- POE Inserter (Part #: 085-1106) - Qty 1
- Y-Power Harness (Part #: 060-1163) - Qty 1
- Microfit Ctrl Cable (Part #: 060-0656) - Qty 1
- 1.5 ft CAT5e Cable (Part #: 085-0065) - Qty 1
- 1" Stainless Steel Philips Rounded Head Drilling Screw (Part #: 600-1022) - Qty 1

12 V POE Injector Kit (Part #: TH8POEKIT12):

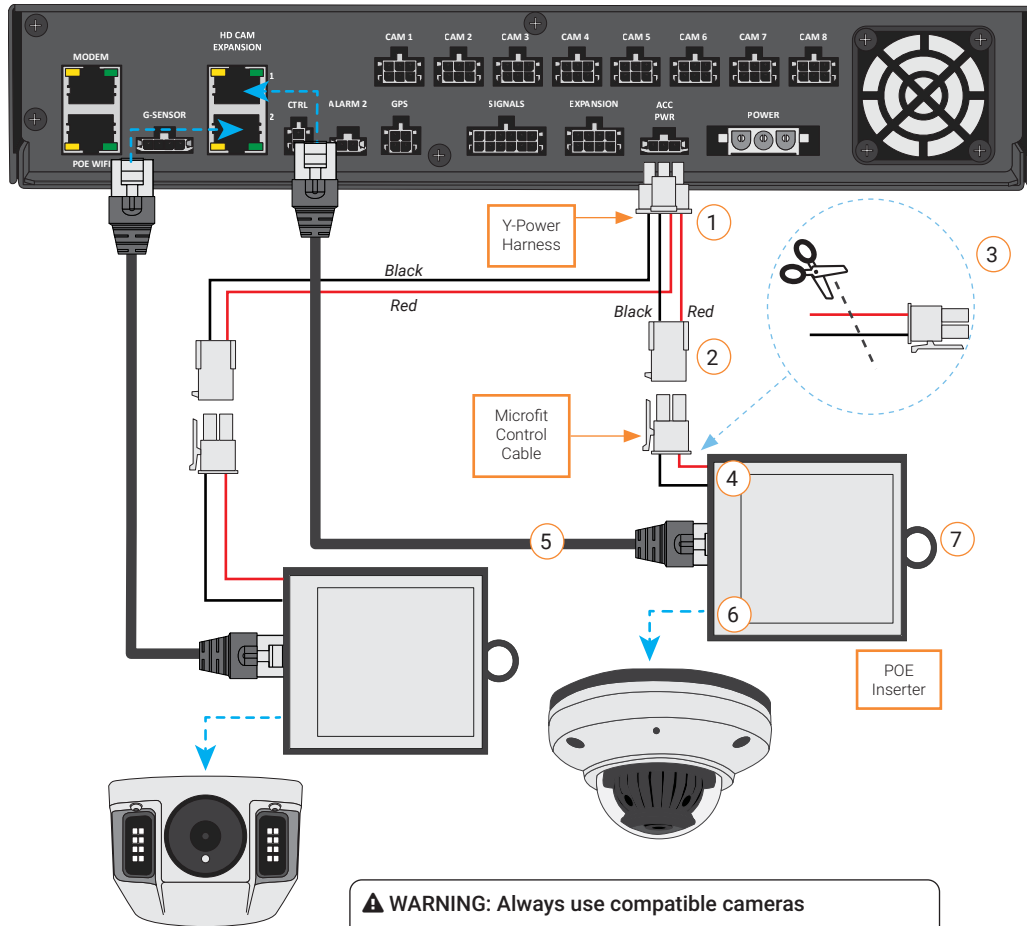
- POE Injector Harness (Part #: APPINJ) - Qty 1
- Y-Power Harness (Part #: 060-1163) - Qty 1

Installing the 48 V POE Kit

(Refer to diagram on next page)

1. Connect the **Y-Power Harness** to the TH8's **ACC PWR** output
2. Connect the other end of the **Y-Power Harness** to one end of the **Microfit Control Cable (MCC)**
3. Cut off the other end of the **MCC** and strip the **red** and **black** wires
4. Connect the MCC red wire to the POE Inserter's **VDC Input (+)**, and the black wire to the **VDC Input (-)**
5. Connect an ethernet cable from the TH8's **HD CAM EXPANSION** port to the POE Inserter's **IN** port
6. Connect an ethernet cable from the POE Inserter's **OUT** port to the camera. For the 48 V POE kit, you can only connect the following cameras:
 - C3W9PD
 - C3Q9PD
7. Secure the casing of the PoE Inserter to the vehicle using the provided screw.

48 V POE Kit Installation Diagram



⚠ WARNING: Always use compatible cameras
 Adding an incompatible camera to a 48 V POE Inserter can cause damages (to the camera) and null your warranty. Always ensure that you're connecting a compatible camera!

Configuring the TH8 to work with (48 V) IP Cameras

After connecting an IP camera, you'll need configure your TH8 in order for the cameras to work. To do this:

1. Navigate to the **TH8 Recording Settings**, choose **HD Cam Expansion 1** or **HD Cam Expansion 2** and select **IP Camera**.
2. Click **Camera**, select the **IPC1** or **IPC2** tab depending on the port used, and choose the appropriate camera model from the **Type** dropdown menu.
3. Select **C3W9PD**, **C3Q9PD** or **CHW8PD** from the dropdown menu.

Installing the 12 V POE Kit (Used with CHW8 Cameras Only)

(Refer to diagram below)

⚠ IMPORTANT: CHW8 vs CHW8PD

The CHW8 (12 V) and the CHW8PD (48 V) are two distinctly different cameras. For the 12 V POE kit, you can only connect to a CHW8 camera.

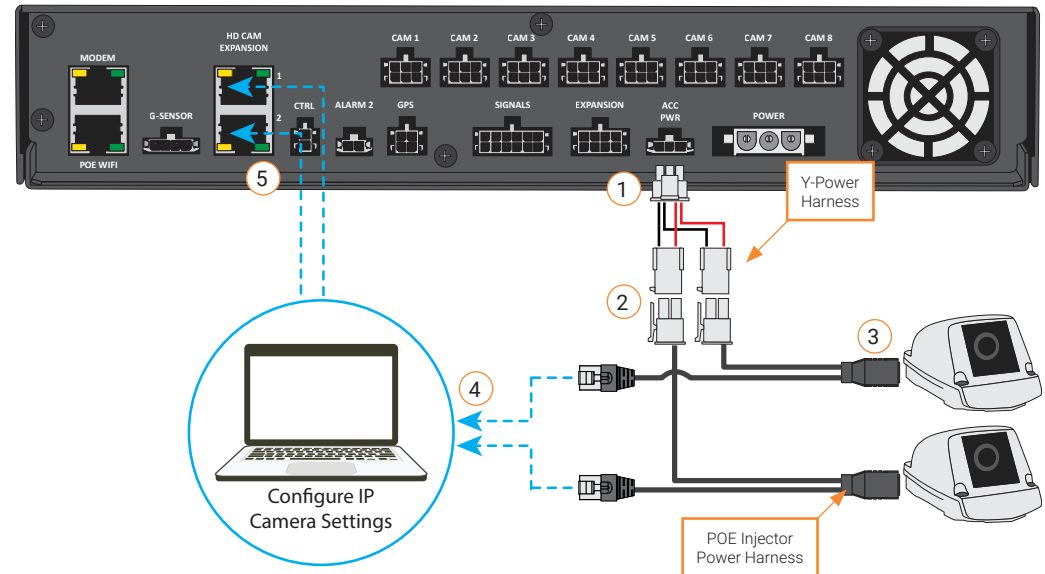
1. Connect the **Y-Power Harness** to the **TH8's ACC PWR** output.
2. Connect the other end of the **Y-Power Harness** to the matching end of the **POE Injector Power Harness**.
3. Connect the **POE Injector Power Harness** directly to the **CHW8** camera.
4. Using a laptop or other portable device capable of running Internet Explorer 11 or later, plug in the **POE Injector Power Harness' Ethernet Connector** to configure the **CHW8** to work with a **TH8**.

⚠ NOTE: Configuring CHW8 for TH8

This procedure is covered on pages 2-3 of document# 700-1200 (CHW8 Quick Setup Guide for TH8 & NH16 Recorders). Please refer to that document and follow the instructions before proceeding to the next step.

5. Once the CHW8 is configured to work with a TH8, plug the **POE Injector Power Harness' Ethernet Connector** into one of the TH8's **HD CAM EXPANSION** ports.

12 V POE Kit Installation Diagram



Configuring the TH8 to work with (12 V) IP Cameras

After connecting an IP camera, you'll need configure your TH8 in order for the cameras to work. To do this, refer to page 4 of of document# 700-1200 (CHW8 Quick Setup Guide for TH8 & NH16 Recorders).