

TH8 & NH16 12 V POE Injector Quick Installation Guide

About

This guide covers the installation procedures for connecting a 12 V POE (Power Over Ethernet) injector kit to TH8, NH16K, and NH16 recorders.

A POE injector kit enables connection of up to 2 additional 12 V devices to the recorder's rear-panel Ethernet ports. NH16 recorders can power a Smart-Reach WiFi bridge. TH8 and NH16K recorders can also power compatible IP cameras.

Pre-requisites

Before proceeding with this document, you must first have a TH8, NH16K, or NH16 recorder installed and functioning in a vehicle. The recorder must meet the following minimum firmware requirements:

- **TH8/NH16K recorder - FW 2.x or higher**
- **NH16 recorder - FW 3.x or higher**

Do not proceed with this document if you haven't installed the recorder. Installation Guides are available on the Safe Fleet Community (<https://community.safefleet.net>).

Note: You will need login credentials to access the documentation. Please contact Technical Support if you do not have access to the Community.

Kit Contents (1 kit required per device added)

12 V POE Injector Kit (Part #: NVRPOEKIT12):

- POE Injector Harness (Part #: APPINJ) - Qty 1
- Y-Power Harness (Part #: 060-1163) - Qty 1

Specifications

12 V POE Injector Adapter Harness	
Materials	UL Rated Materials, Meets RoHS Requirements
Voltage Rating	60VDC Maximum
RJ45 Jack	Shielded CAT5 Rated, Gold Plated Contacts
RJ45 Power Pins	4, 5 (+) 7, 8 (-)
DC Wire Size	28AWG x 4
CAT5 Wire Size	24AWG x 8, Shielded
Cable Length	165mm (6.5")
Total Length	254mm (10")
Weight	31 g (1.1 oz)
Operating Temp	-40°C to 80°C (-40°F to 176°F)

Warranty

For full warranty information, visit:

- www.seon.com/documents/Seon-Warranty.pdf

Support

- Phone: 1.844.899.7366
- Email: PTsupport@safefleet.net



2002/96/EC (WEEE directive): This product cannot be disposed of as unsorted municipal waste in the European Union. For proper recycling, return the product to your local supplier upon the purchase of equivalent new equipment, or dispose of it at designated collection points, for more information, see www.recyclethis.info.

2006/66/EC (battery directive): This product does not contain batteries.

Installing the 12 V POE Kit with CHW8 Cameras (TH8 & NH16K Recorders Only)

⚠ WARNING: Ensure Recorder is Powered Down

Do not proceed unless the recorder is shut down.

⚠ IMPORTANT: CHW8 vs. CHW8PD

The CHW8 (12 V) and the CHW8PD (48 V) are two distinctly different cameras. For the 12 V POE kit, you can only connect to a CHW8 camera.

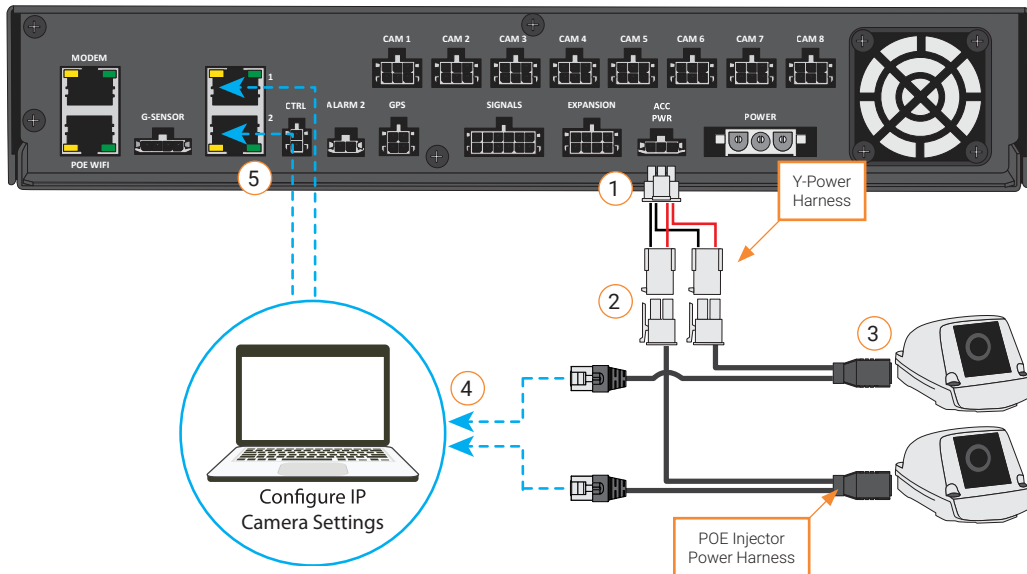
1. Connect the **Y-Power Harness** to the **recorder's ACC PWR** output.
2. Connect the other end of the **Y-Power Harness** to the matching end of the **POE Injector Power Harness**.
3. Connect the **POE Injector Power Harness** directly to the **CHW8** camera.
4. Plug the **POE Injector Power Harness' Ethernet connector** into a laptop running Internet Explorer 11 or later, and proceed to configure the **CHW8** camera to work with the recorder.

ⓘ NOTE: Configuring CHW8 for the Recorder

This procedure is covered on pages 2-3 of document #700-1200 (*CHW8 Quick Setup Guide for TH8 & NH16K Recorders*). Please refer to that document and follow the instructions before proceeding to the next step.

5. Once the CHW8 is configured to work with the recorder, plug the **POE Injector Power Harness' Ethernet Connector** into the **recorder's rear Ethernet port 1 or 2** as shown in the diagram.

12 V POE Kit Installation Diagram (CHW8 Cameras)



Configuring TH8 and NH16K Recorders to work with 12 V IP Cameras

After connecting an IP camera, you'll need configure your recorder in order for the cameras to work. To do this, refer to page 4 of document #700-1200 (*CHW8 Quick Setup Guide for TH8 & NH16K Recorders*).

Installing the 12 V POE Kit with a Smart-Reach Lite WiFi Bridge (NH16 Recorder Only)

⚠ WARNING: Ensure Recorder is Powered Down

Do not proceed unless the recorder is shut down.

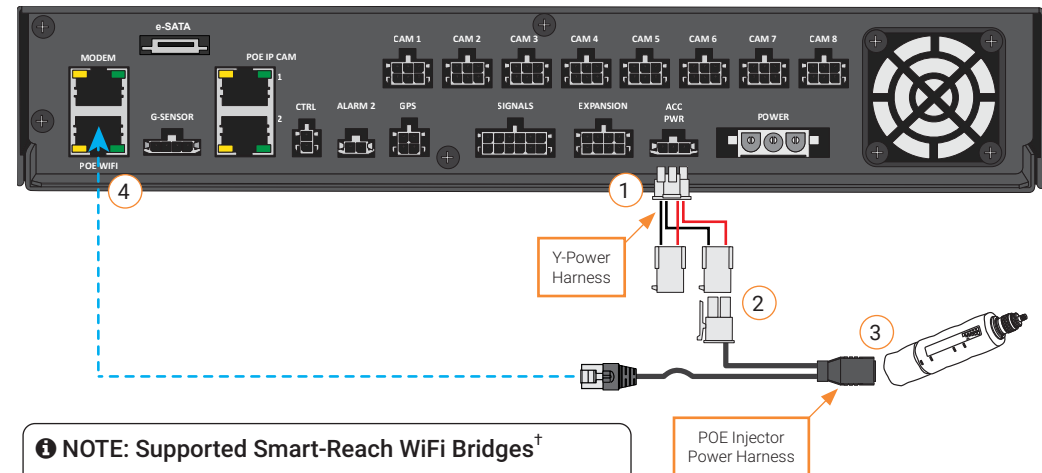
1. Connect the **Y-Power Harness** to the **recorder's ACC PWR** output.
2. Connect the other end of the **Y-Power Harness** to the matching end of the **POE Injector Power Harness**.
3. Connect the **POE Injector Power Harness** directly to the **Smart-Reach Lite WiFi bridge**.

ⓘ NOTE: Smart-Reach Lite Installation and Recorder Configuration

For WiFi bridge installation and recorder configuration details, see the Smart-Reach Lite documentation on the Safe Fleet Community, or contact Technical Support.

4. Plug the **POE Injector Power Harness' Ethernet Connector** into the **recorder's rear-panel POE WIFI** port, as shown in the diagram.

12 V POE Kit Installation Diagram (Smart-Reach Lite WiFi Bridge)



ⓘ NOTE: Supported Smart-Reach WiFi Bridges[†]

The following models are compatible with the 12 V POE kit and the NH16 recorder:

- Ubiquiti Bullet M2HP (part #: 080-0163)
- MikroTik Groove 2.4/5GHz (part #: 080-1080)
- MikroTik-N Groove 52HPn 2.4/5GHz (part #: 080-1083)

[†] If your bridge is not listed, please contact Technical Support.