

Routine Maintenance

Most liquid cleaners or graffiti gel can be used to clean your camera enclosure. Do not use abrasive cleaners that can scratch the polycarbonate dome and reduce visibility of the camera.

If the polycarbonate dome in your camera is damaged or scratched beyond use, order a replacement dome from your camera distributor.

Service and Warranty

If your SJ Series Dome Camera is to be returned to Seon Design for service, please call toll free 1-877-630-7366, or 604-941-0880, provide the model and/or serial number of your unit, and ask for a Return Authorization (RA) number. An RA number allows the Service Technicians to better track your product when it comes in for service. Please show the RA number on the outside of the package. ANY PRODUCT SENT TO SEON DESIGN WITHOUT AN RA NUMBER MAY BE REFUSED.

Please refer to the Warranty form provided with your product to review the terms of warranty service, contact and shipping information, as well as other important issues regarding the service and operation of your product.

FCC Class B Statement (U.S.A.)

This device complies with **Part 15** of the **FCC Rules**. Operation is subject to the following two conditions: (1) This device may not cause harmful interference, and (2) this device must accept any interference received, including interference that may cause undesired operation.

Industry Canada Notice

This **Class B** digital apparatus meets all requirements of the **Canadian Interference-Causing Equipment Regulations**.

Cet appareil numérique de la **classe B** respecte toutes les exigences du **Règlement sur la matériel brouilleur du Canada**.

Information in this guide is subject to change without prior notice.

© March 2007 Seon Design™ Inc.

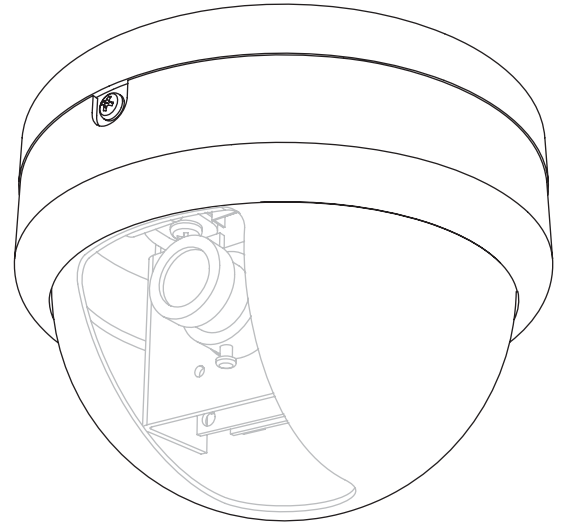
www.seon.com

All rights reserved. Printed in Canada

Document Part Number: 700-0049 R001

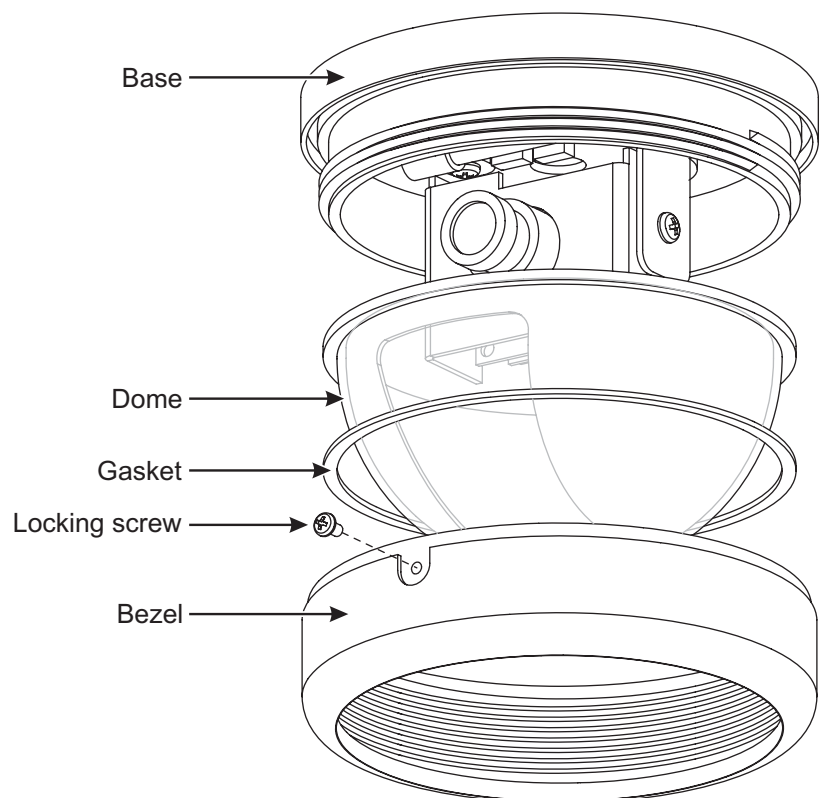
SEON
Mobile Surveillance

SJ Series Dome Camera Installation Guide

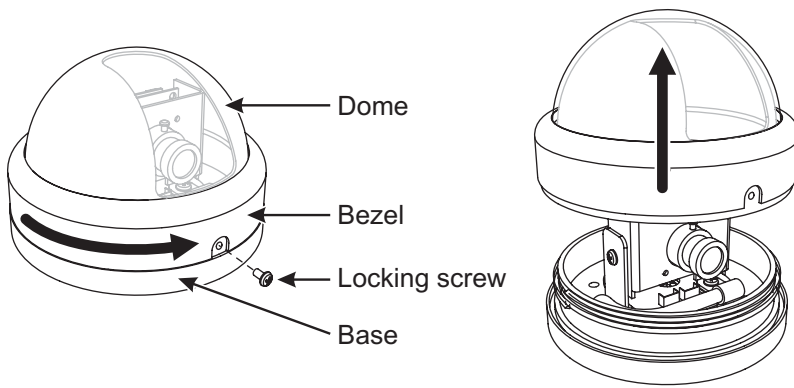


Replacing the Dome

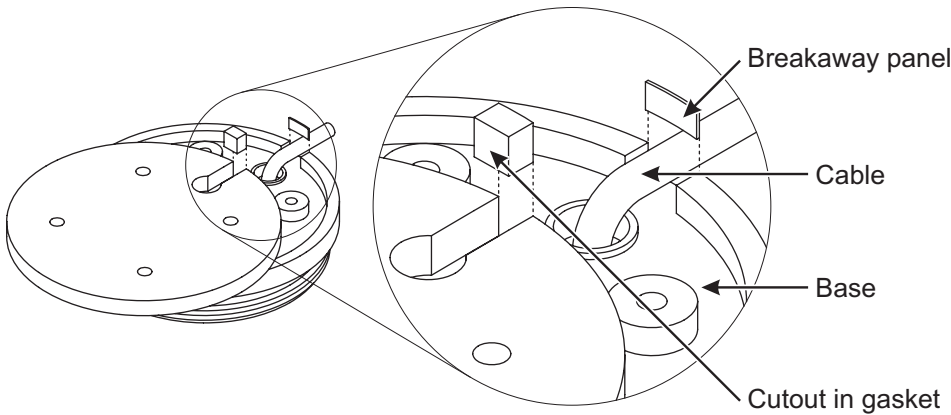
- 1 If the camera dome is damaged or scratched, order a replacement dome from your camera distributor.
- 2 Use the hex key supplied with the camera to remove the locking screw. Turn the bezel counter-clockwise to unscrew it from the base.
- 3 Push the damaged dome out of the bezel. Remove the old neoprene gasket from the bezel.
- 4 Fit a new neoprene gasket over the new dome and press the dome into the bezel.
- 5 Fit the bezel and dome onto the base. Turn the bezel clockwise until it is snug. Use the hex key to tighten the locking screw.



Installing the SJ Series Camera

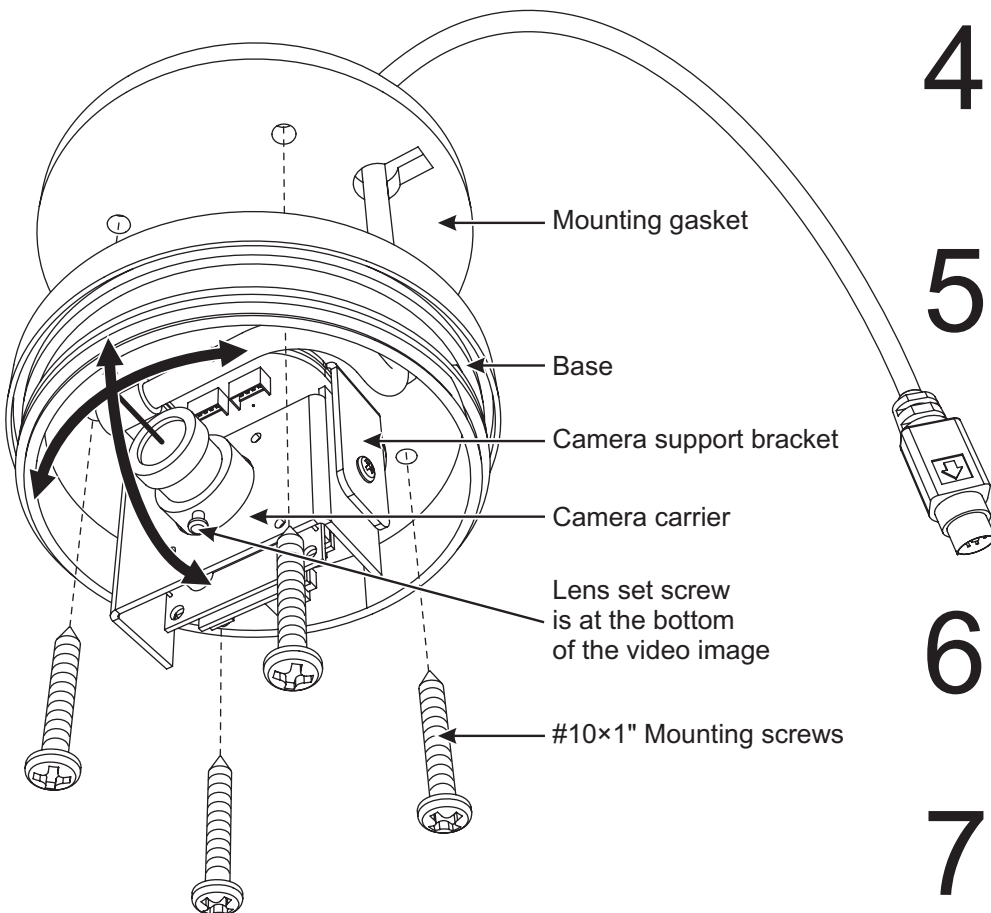


- 1** Use the hex key supplied with the camera to remove the locking screw.
- 2** Turn the bezel counter-clockwise to unscrew it from the base.
- 3** Pull the bezel and dome away from the base.



NOTE - To use surface mounted wiring:

- 1 Use sturdy wire cutters to cut each side of the breakaway panel in the camera base.
- 2 Use pliers to bend and remove the breakaway panel.
- 3 Use a file to smooth any rough edges that could damage the cable.
- 4 Use a knife to cut out the keyhole in the mounting gasket.



- 4** Use the four #10×1" mounting screws supplied with the camera to attach the camera to a wall or ceiling. Always put the mounting gasket between the base and the mounting surface.

- 5** Plug the camera cable into a digital video recorder (DVR).

Red: 12 VDC power +
 Black: 12 VDC power –
 Yellow: 75Ω Video signal +
 Brown: 75Ω Video signal –

- 6** Rotate the camera support bracket and the camera carrier to get the video image you want. Hold the dome in place to make sure it does not block the view.

- 7** Fit the bezel and dome onto the base. Turn the bezel clockwise until it is snug. Use the hex key to tighten the locking screw.