



SA Camera Mounting Post

A. Introduction

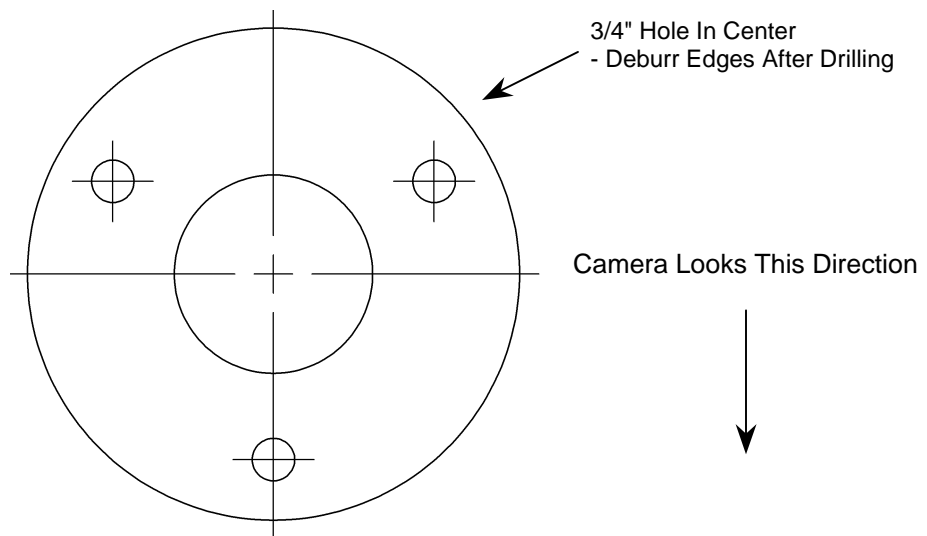
The SA Camera Mounting Post allows the SA series of cameras to be mounted 4" off a flat surface. Applications where such a Post would be useful include:

- Raising the camera above a vehicle dash to have a clear view out of the windshield.
- Lowering the camera from a header panel to have a clear view out of a windshield.
- Mounting the camera off a wall to clear an obstacle.

The bracket is manufactured from cold-rolled steel and epoxy-powder painted for longevity in all applications.

B. Mounting Template

If this sheet is printed on a standard 8.5" x 11" piece of paper, then the mounting template below is a 1-to-1 diagram of the mounting pattern for the post.



The bracket is attached to the mounting surface using the accompanying three pieces of 8-32x3/4" self-drilling screws. Use a 5/16" socket to drive the screws into the sheet-metal mounting surface. The camera is then attached to the bracket using three pieces of 8-32x3/8" machine screws and 8-32 Nylock nuts included in your package. The camera harness runs up the center of the mounting post, providing a concealed cable run.

C. Technical Support

If you have any questions, please contact the Seon Service Department Toll Free at **877-630-7366** or 604-941-0880, via e-mail at service@seon.com, or by mail at:

Seon Design Inc.
Unit 111, 3B Burbidge Street
Coquitlam, BC
Canada V3K 7B2