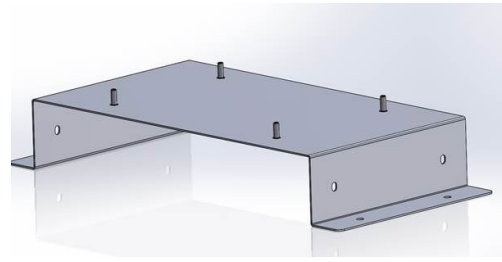


NH Stacking Bracket

Quick Installation Guide

This bracket supports stack mounting an NH16 recorder on top of an NS18POE16 network switch, minimizing space requirements.

Refer to the NH16 and the NS18POE16 documentation on the Safe Fleet Community for complete installation requirements and procedures. When stack mounted, the NS18POE16 mounting plate is not used.



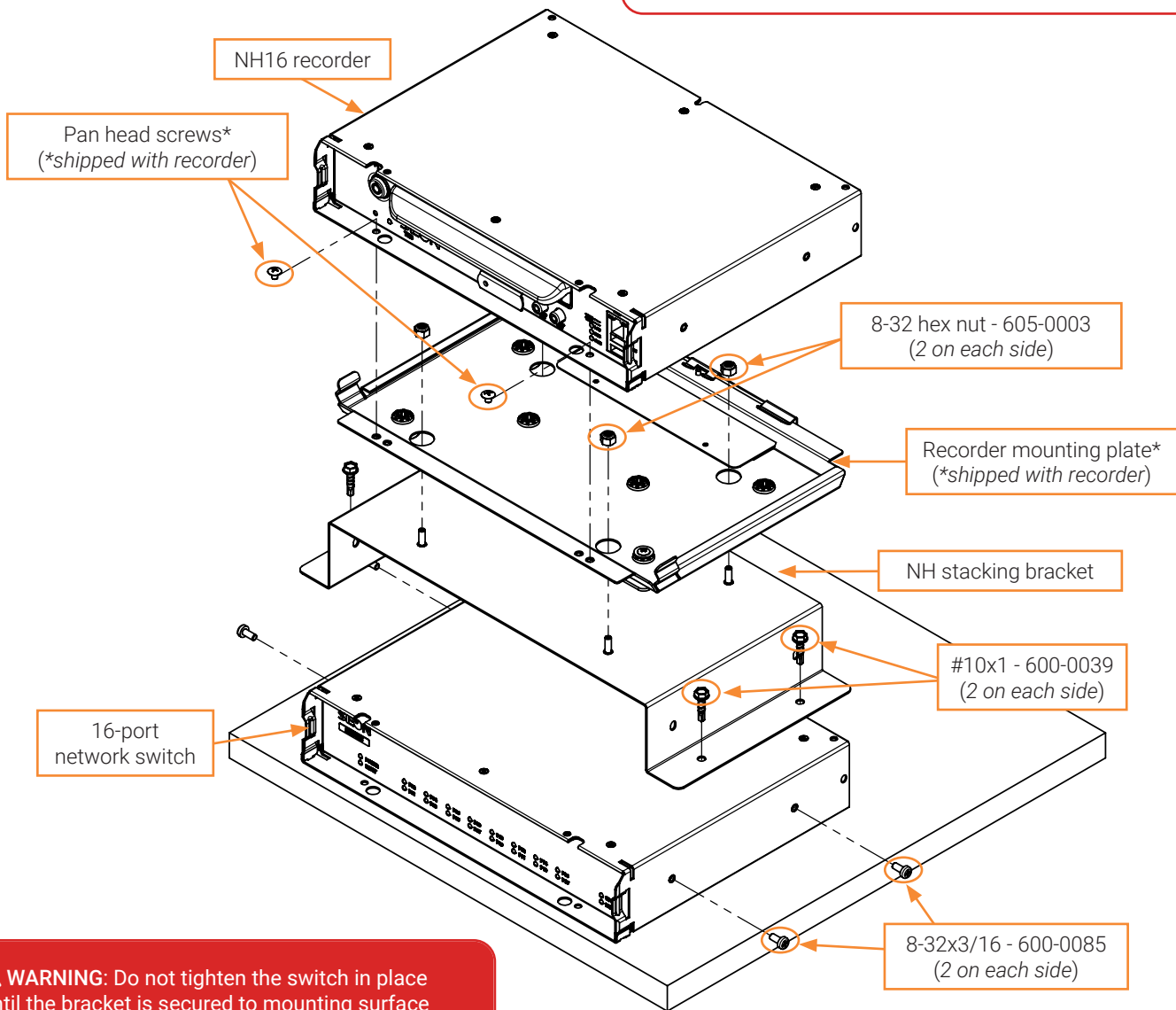
Kit Contents (NH-STK-BRK-01)

- 1 NH stacking bracket (part # 660-1089)
- 4 #10 x 1" screws (self-drilling Hex, part # 600-0039)
- 4 #8-32 x 3/16" screws (Phillips, part # 600-0085)
- 4 #8-32 nuts (Hex NYLK, part # 605-0003)

⚠ IMPORTANT: Mounting requirements

Mount the recorder on top of the bracket, with the switch underneath, as shown below.

Always install the bracket assembly horizontally – do not suspend or mount vertically.



⚠ WARNING: Do not tighten the switch in place until the bracket is secured to mounting surface

Leave the 4 screws (600-0085) holding the switch to the bracket only half-tight until the bracket assembly is secured with its mounting screws (600-0039).

Service & Support

If your bracket is to be returned for service, please contact the Safe Fleet Technical Support team, provide the model and/or serial# of your unit, and ask for a **Return Merchandise Authorization (RMA)** number. An **RMA#** allows the support team to better track your product when it comes in for service. Please show the RMA# on the **outside** of the package.

ANY PRODUCT SENT WITHOUT AN RMA# MAY BE REFUSED!

Documentation

Additional copies of this guide along with other documentation can be found on the Safe Fleet Community (<https://community.safefleet.net>).

Warranty

For full warranty information, visit:

- www.seon.com/documents/Seon-Warranty.pdf

Contact Safe Fleet Tech Support

Contact details are available at:

- <https://community.safefleet.net>