

Network and Streaming Configuration

In the web browser, click the **Camera** tab and then **IP Advance Settings** on the toolbar to display the configuration screen.

Name	Description
Quick Stats:	The top section of the screen displays camera model and number, date, time, firmware version, serial number, HDD, IP address and Radio Frequency (RF) associated to the wireless network.
Logout:	A button to Logout from the system is available in the upper-right section.
IP Channel Settings:	Shows general settings for defined camera channel.
IP Advance Settings:	Displays camera model, serial number, firmware version, IP address, and encoding version.
IP Video Adjustment:	Allows configuration of special video modes, such as day/night, IR, image adjust or Analog output.
IP Overlay Settings:	Gives access to optional video overlay displays.
Stream Settings	Displays recording parameters for video source device.
Audio Stream Settings	Shows noise filter and recorded volume parameters.
Video Preview	Allows live preview of each of the three streams, and audio (if enabled).

Customer Service

Technical Support: 1-844-899-7366
 General Enquiries: 1-877-630-7366
 Email: service@seon.com

Product Information

For product information and documentation, please visit <https://community.seon.com>. Please contact Technical Support if you do not have access credentials.

MVC-9002 Install Guide.

Product Overview

This is the Install Guide for MobileView camera models:

- MVC-9002-28-WI
- MVC-9002-40-WI
- MVC-9002-28-WI-G



Installation Environment

When installing your product, consider the following:

- **Electrical:** Install electrical wiring carefully. This should be done by qualified service personnel. Always use a proper PoE switch or a 12 VDC power supply to power the camera. Do not overload the power cord or adapter. PoE and 12VDC power sources should NOT be used together; choose only one.
- **Ventilation:** Ensure that the location planned for the installation of the camera is well ventilated.
- **Temperature:** Do not operate the camera beyond the specified temperature, humidity, or power source ratings. The operating temperature of the camera is between -30 to +65°C.
- **Servicing:** Do not attempt to repair this camera yourself. Any attempt to dismantle this product, except as required for normal installation, will negate the warranty and may also result in injury. Refer all servicing to qualified service personnel.
- **Cleaning:** Do not touch the lens with your fingers. If cleaning is necessary, use a clean cloth with ethanol and gently wipe the camera.

Clean -G model cameras with non-abrasive, solvent-free neutral soap or detergent with water and soft cloth. Rinse well with clean lukewarm water.

Package Contents

Check the package and contents for visible damage. If any components are damaged or missing, do not attempt to use the unit; contact the supplier immediately. If the unit is returned, it must be shipped back in its original packaging.

Package contents:

- Camera
- Y Splitter cable (optionally used if 12VDC power is supplied via Cat5)
- Hex wrench
- Quick Guide
- Drill Template
- Molex connector/pins
- Guard

Cable Requirements

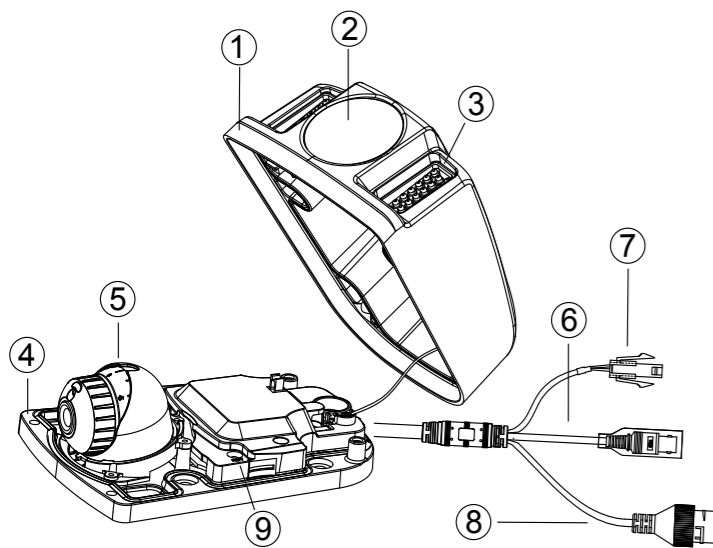
For proper operation, adhere to the following cable and power requirements for the cameras. All network cabling must be installed according to applicable codes and regulations.

The table below lists the requirements for the cables that connect to the camera. The camera has two options to receive power; only one should be used at a time.

Table 1: Recommended power

PoE(802.3af):	Cat5, 24 AWG Stranded or better
12VDC:	18 AWG, or larger

Camera Description



- | | |
|-----------|--------------------------|
| 1. Cover | 6. BNC cable |
| 2. Bubble | 7. 12VDC Molex connector |
| 3. IR | 8. Ethernet RJ45 cable |
| 4. Base | 9. Reset button |
| 5. Lens | |

TIP: For More information

Refer to the **MobileView 9000 & 9100 Series Analog/ IP Camera User Manual**.

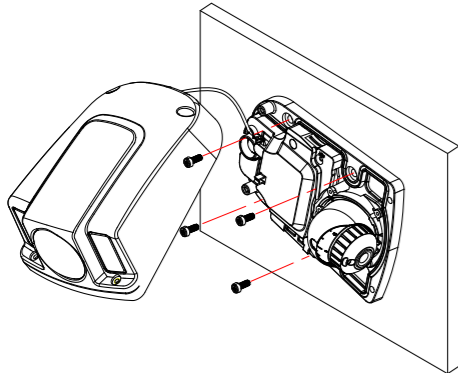
This document can be found on the Safe Fleet Community at <https://community.seon.com/documents>.

Setting Up the Camera

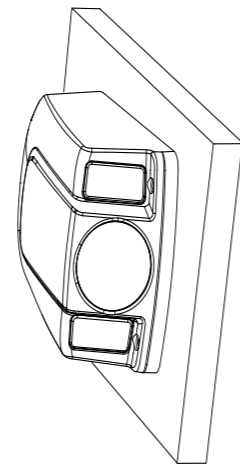
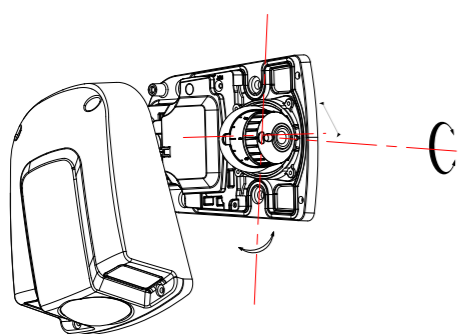
1. Prepare the mounting surface.
2. Mount the camera using the appropriate fasteners. Refer to the *Mounting the Camera* section.
3. Set up the camera's network and streaming parameters to control the camera over the network. Refer to the *Accessing the Camera over the Internet* section.
4. Program the camera to suit its location.

Mounting the Camera

1. Use the supplied template to mark out the mounting area. Drill the screw holes on the surface. Rivnuts with #8-32 machine screws (or larger) are recommended.
2. Loosen the cover screws to remove the cover from the camera and fix the mounting base to the ceiling with the appropriate screws.
3. Loosen the adjusting screw to adjust the pan, tilt, and rotation angle with the adjusting cap, then re-tighten the screw.
4. Finally, re-install the cover using the cover screws.



2. Loosen the cover screws to remove the cover from the camera and fix the mounting base to the ceiling with the appropriate screws.

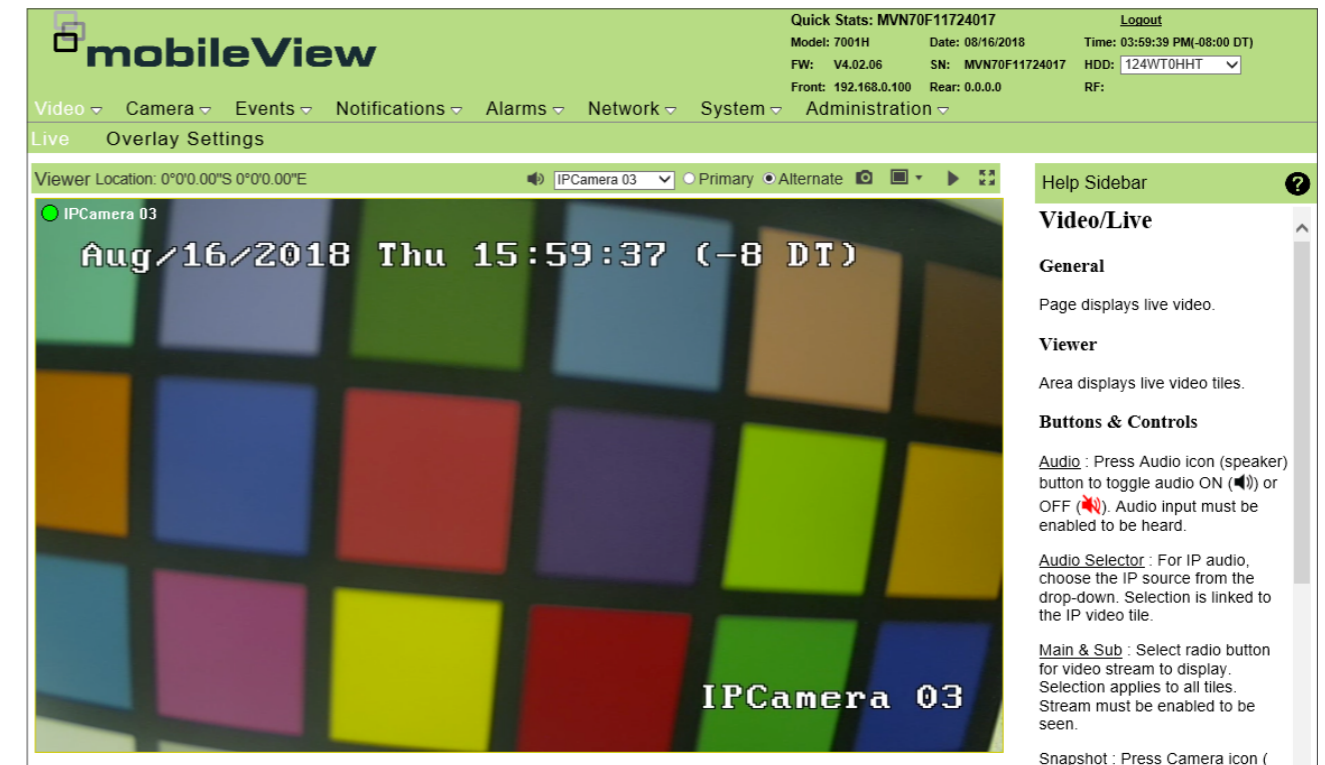


Accessing the Camera over the Internet

Use the camera web browser to access and configure the camera over the Internet (Microsoft Internet Explorer). Only one camera is accessible from a single web browser window. To access the camera online:

1. In the Web browser, enter the camera's IP address (default is 192.168.1.70). The Login dialog box appears.
Note: Ensure that the Active X controls are enabled.
2. Enter your user name and password. Notice that user name is *admin* and default password is *1234*.
3. Click Login. The web browser window appears in **Live View** mode.

Overview of the Camera Web Browser



The camera web browser displays the following features in Live View mode:

Name	Description
Quick Stats:	In the top section, camera model and number, date, time, firmware version, serial number, HDD, IP address and Radio Frequency (RF) associated to the wireless network are disclosed.
Logout:	In the upper-right corner, a button to Logout from the system is available.
Audio Selector:	Allows toggling audio on and off.
Primary/Alternate:	Selects radio for video stream to display. Stream must be enabled to be seen.
Snapshot:	Allows capturing and saving a single JPEG image.
Layout:	Allows selecting number of camera views to be displayed at the same time .
Next Channel:	Displays following video channel when clicked.
Full Screen:	Displays full screen Live View mode.
Help Sidebar:	Presents brief explanations of the available features.

Fold Here