

MobileView 9000 Series Exterior Analog/IP Camera Quick Guide

1072869 A December 2014

© 2014 United Technologies Corporation. MobileView is part of UTC Building & Industrial Systems, a unit of United Technologies Corporation. All rights reserved.

Content

Introduction	1
Product overview	1
Installation Environment	1
Package Contents	1
Cable Requirements	1
Camera Description	2
Setting up the Camera	2
Mounting the Camera	2
FCC Compliance	4
Contact information	4

Introduction

Product overview

This is the Quick Guide for MobileView camera models:

- MVC-9000-28-WI (Exterior camera, 2.8mm)
- MVC-9000-40-WI (Exterior camera, 4.0mm)

Installation Environment

When installing your product, consider these factors:

- **Electrical:** Install electrical wiring carefully. It should be done by qualified service personnel. Always use a proper PoE switch or a 12 VDC power supply to power the camera. Do not overload the power cord or adapter. PoE and 12VDC power sources should NOT both be used together; choose only one.
- **Ventilation:** Ensure that the location planned for the installation of the camera is well ventilated.

- **Temperature:** Do not operate the camera beyond the specified temperature, humidity or power source ratings. The operating temperature of the camera is between -30 to +65°C.
- **Servicing:** Do not attempt to repair this camera yourself. Any attempt to dismantle this product, except as required for normal installation, will invalidate the warranty and may also result in injury. Refer all servicing to qualified service personnel.
- **Cleaning:** Do not touch the lens with fingers. If cleaning is necessary, use a clean cloth with some ethanol and wipe the camera gently.

Package Contents

Check the package and contents for visible damage. If any components are damaged or missing, do not attempt to use the unit; contact the supplier immediately. If the unit is returned, it must be shipped back in its original packaging.

Package contents:

- Camera
- Y Splitter cable (optionally used if 12VDC power is supplied via Cat5)
- Hex wrench
- Quick Operation Guide
- Drill Template
- Molex connector/pins
- Guard

Cable Requirements

For proper operation, adhere to the following cable and power requirements for the cameras. All network cabling must be installed according to applicable codes and regulations.

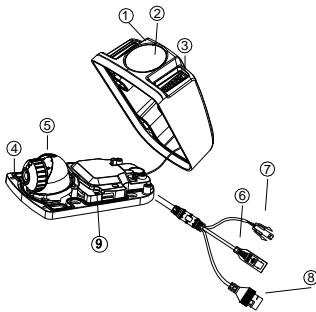
Figure 1 lists the requirements for the cables that connect to the camera. Note that the camera has two options to receive power; only one should be used at a time.

Table 1: Recommended power cable requirements

PoE(802.3af):	Cat5, 24 AWG Stranded or better
12VDC:	18 AWG, or larger

Camera Description

Figure 1: MVC-9000 Exterior Camera



1. Cover
2. Bubble
3. IR
4. Base
5. Lens
6. BNC Cable
7. 12VDC Molex connector
8. Ethernet RJ45 cable
9. Reset Button

Setting up the Camera

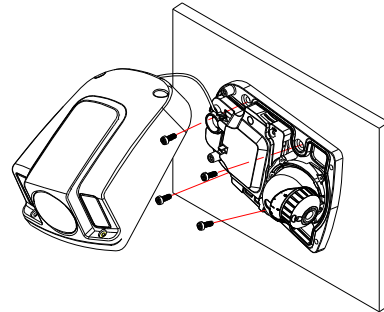
To quickly put the camera into operation:

1. Prepare the mounting surface.
2. Mount the camera using the appropriate fasteners. See the following “Mounting the Camera” section.
3. Set up the camera’s network and streaming parameters so that the camera can be controlled over the network. See section “Accessing the Camera over the Internet.” For further information, please refer to the “MobileView 9000 & 9100 Series Analog/IP Camera User Manual”.
4. Program the camera to suit its location. For further information, please refer to the “MobileView 9000 & 9100 Series Analog/IP Camera User Manual”.

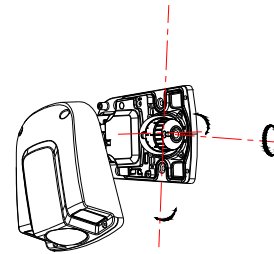
Mounting the Camera

To Mount the Exterior Camera:

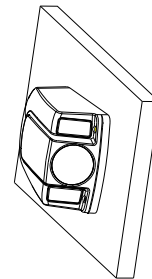
1. Use the supplied template to mark out the mounting area. Drill the screw holes on the surface. Rivnuts with #8-32 machine screws (or larger) are recommended.
2. Loosen the cover screws, so cover can be removed. Secure the mounting base to the surface with appropriate screws.



3. Loosen the adjusting screw to adjust the pan, tilt and rotation angle, then re-tighten the adjusting screw.



4. Reinstall the cover screws.



Accessing the Camera over the Internet

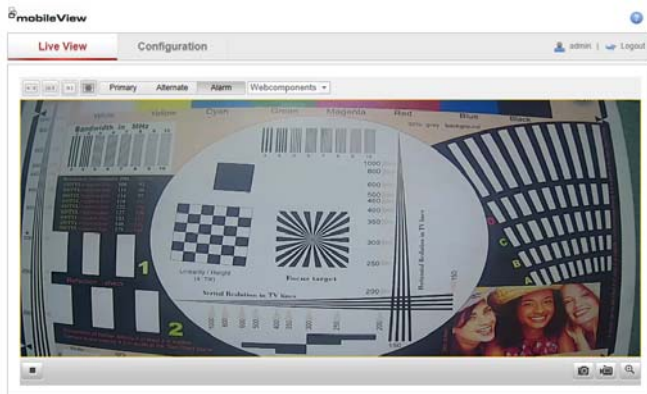
Use the camera web browser to access and configure the camera over the internet (Microsoft Internet Explorer). Only one camera is accessible from a single web browser window.

To access the camera online:

1. In the Web browser, enter the camera's IP address (default is 192.168.1.70). The Login dialog box appears.
Note: Ensure that the Active X controls are enabled.
2. Enter your user name and password.
User name: admin
Password: 1234
3. Click **Login**. The web browser window appears in live view mode. See Figure 2.

Overview of the Camera Web Browser

Figure 2: Camera Web browser interface

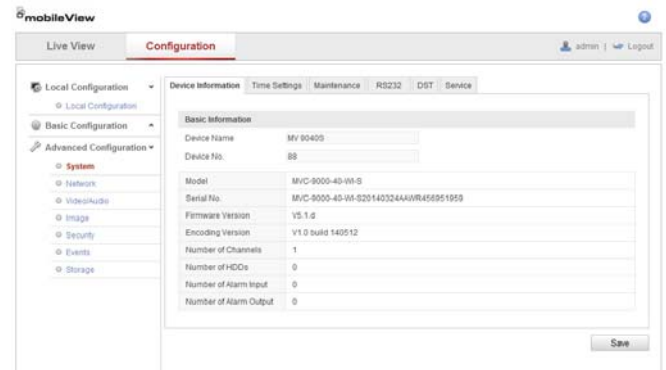


Item	Name	Description
1.	Live view	Click to view live video.
2.	Configuration	Click to display the configuration screen for setting up the camera.
3.	Current user	Displays current user logged on.
4.	Logout	Click to log out from the system. This can be done at any time.
5.	Start/stop live view	Click to start/stop live view.
6.	Capture	Click to take a snapshot of the video. The snapshot will be saved to the default folder in JPEG or BMP format.
7.	Start/stop recording	Click to record live video.
8.	Digital Zoom	Click to enable digital zoom.

Network and Streaming Configuration

In the camera Web browser screen click the **Configuration** button on the toolbar to display the configuration screen. See Figure 3.

Figure 3: Configuration screen



Refer to the MobileView 9000 & 9100 Series Analog/IP Camera User Manual for detailed information on configuring the cameras. See Table 2 for an overview of the configuration parameters.

Table 2: Overview of the configuration parameters

Configuration folders	Description
Local configuration	Defines the protocol type, live view performance and local storage paths.
System	Displays device information including serial number and firmware version. Defines time settings, maintenance and RS232 parameters.
Network	Defines the network parameters required to access the camera over the internet.
Video/Audio	Defines recording parameters for each of the three streams.
Image	Defines the image parameters, OSD settings, overlay text and privacy mask.
Security	Defines who can use the camera, their passwords and access privileges, and RTSP authentication.
Events	Defines motion detection, tamper-detection, and exceptions.
Storage	Defines snapshot configurations.

FCC Compliance

Complies with FCC Part 15; Class A.

Contact information

North America:

855-MOBVIEW (662-8439)

www.interlogix.com/mobileview/