

Specifications

| | |
|-----------------------------|---|
| Power Consumption | Max 4.2W (IR on) |
| Operating Voltage Range | 9 to 14 VDC (powered by recorder) |
| Operating Temperature Range | -4 to 122°F (-20 to 50°C) |
| Field of View (FOV) | H: 171 V: 88 |
| Resolution | 1080p |
| Infrared LED Lamps | 4 high efficiency LEDs |
| Minimum Illumination | B&W, IR LEDs on: 0 lux |
| Enclosure Size | Height: 2.1" (53.55 mm) Width: 2.7" (68.6 mm) Depth (with bracket): 2.5" (63.74 mm) |
| Enclosure Material | Die-cast aluminum (powder-coated) |
| Environmental Rating | IP67 |
| Bracket Material | SUS304 |
| Dome | Polycarbonate |
| Connector Cable Length | 12" (30 cm) |
| Weight | 0.39 lbs (177 g) |

Routine Maintenance

Most liquid cleaners or graffiti gel can be used to clean your camera enclosure. Do not use abrasive cleaners that can scratch the window and reduce visibility of the camera.

Service

If your HD3U series Ultra-Wide Camera is to be returned for service, please call toll free **1.877.630.7366**, or **1.844.899.7366**, and provide the model and/or serial# of your unit. Ask for a Return Merchandise Authorization (RMA) number. An RMA# allows the Service Technicians to better track your product when it comes in for service. Please show the RMA# on the outside of the package. **ANY PRODUCT SENT WITHOUT AN RMA# MAY BE REFUSED.**

Technical Support

Email: PTsupport@safefleet.net
Phone: 1.844.899.7366

Documentation

Information is subject to change without notice. Please check the Safe Fleet Community for the latest version, as well as additional copies of this guide and other supporting documentation.

<https://community.safefleet.net>

HD3U Ultra-Wide Camera Quick Installation Guide

This guide applies to the HD3U01ANXX camera model series.

Installation Kit Contents

The kit includes the following components:

- 1 HD3U camera with pre-inserted grommet on connector cable
- 1 Mounting bracket
- 2 x #10 3/4" self-drilling screws
- 1 Torx T10 security key
- 1 drilling template
- 1 *Quick Installation Guide*



WARNING: Harness Compatibility

This camera requires a special Analog High Definition (AHD) harness - as indicated by a blue band in front of the connectors. Note that a standard harness may appear to work on a small analog screen, but the image will be significantly degraded during subsequent playback.

Step 1: Choose Camera Location

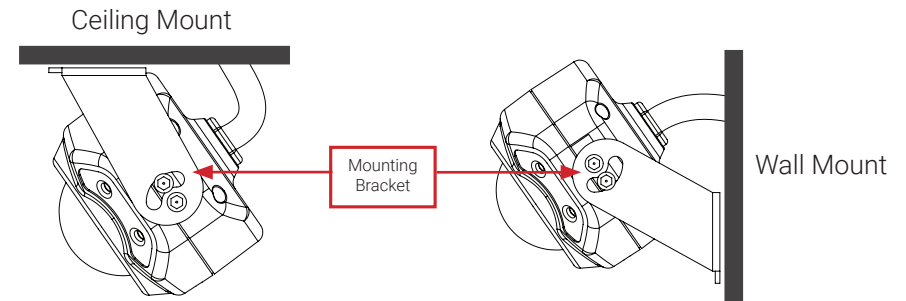
The mounting location must meet the following requirements:

- a solid surface (to minimize vibration)
- away from access panels, hatches, or doors which may block the camera view
- away from heat sources

Cameras are usually installed with cabling running inside wall panels.

Step 2: Choose Mounting Orientation

The HD3U can be mounted in two orientations: "ceiling mount" (bracket arms angled down from the mounting surface), or "wall mount" (bracket arms angled up):



To select an orientation, consider the mounting surface and range of motion (camera tilt and bracket wall pivot or ceiling pan) that provides the required field of view (see Step 3, below). The most common position will be ceiling mount, with the camera tilted downward (approximately 45 degrees below the horizon).

Step 3: Install the Mounting Bracket

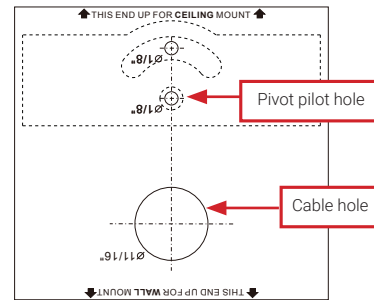
1. Use the supplied Torx key to loosen the two security screws on each side of the camera housing and remove the mounting bracket.
2. Use the supplied drilling template to mark the cable hole (11/16") and pilot holes (1/8") on the panel.

Important: Ensure the drilling template is positioned correctly, according to your mounting orientation.

The template indicates which end should face upward for ceiling mount or wall mount.

3. Drill the pivot pilot hole (see the image on the right).

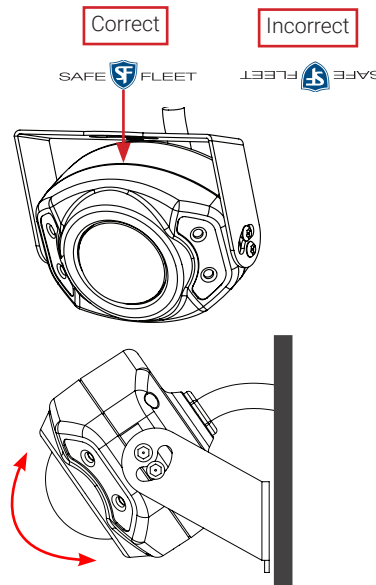
Note: The template image on the right is not to scale. The actual template is included with the HD3U Installation Kit.



4. Use a single #10 3/4" self-drilling screw in the pivot pilot hole to hold the bracket in place.
5. Position the camera on the mounting bracket:

Ensure Top Side of Camera Faces Upward

The camera housing is stamped with "Safe Fleet" branding on both its top and bottom. Looking into the lens, when the camera is right-side-up, the branding reads "Safe Fleet". If it does not, flip the camera (i.e. rotate 180 degrees).



6. Connect the camera to the recorder and check the image displayed. Confirm the mounting position and range of motion (camera tilt and bracket wall pivot or ceiling pan) provide the required field of view, and that the image can be properly aligned.

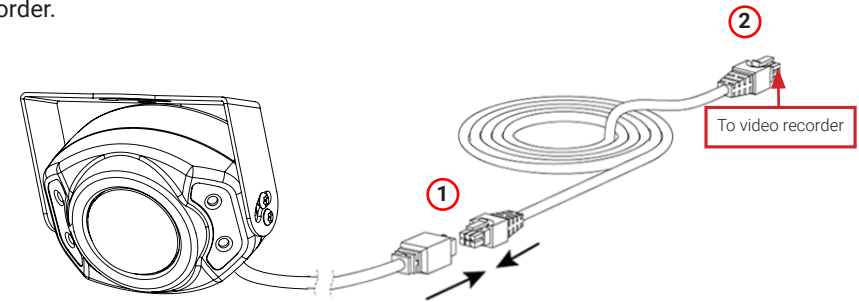
If necessary, choose a different mounting orientation and/or location and repeat steps 2 through 4 above.

7. Remove the screw and the bracket from the mounting surface.
8. Use the template marks and drill the other 1/8" pilot hole and the 11/16" cable hole (use a step-bit to drill the cable hole, and a regular bit for the pilot hole).

9. Place the bracket on the mounting surface, in the orientation and pivot/pan position identified above.
10. Use the two #10 3/4" self-drilling screws to attach the bracket to the mounting surface.

Step 4: Connect the Camera

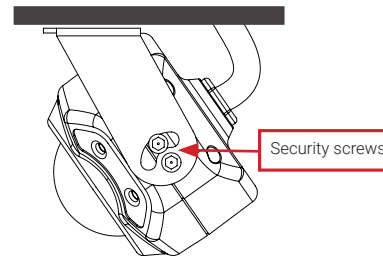
1. Connect the camera cable to the extension harness through the panel cable hole.
Important: Ensure the extension harness has a blue band in front of the connectors, indicating it is AHD-compatible.
2. Connect the extension harness's 2x3 Microfit connector to a compatible digital video recorder.



3. Use the grommet on the camera cable to plug the hole in the vehicle panel.

Step 5: Install the Camera

Use two security screws on each side to attach the camera housing to the mounting bracket (leave the screws finger-tight).



Step 6: Aim the Camera

1. With the camera connected to the recorder and both powered on, access the recorder using a monitor connected to the local video out.
2. Set the camera's tilt position.
3. Use the supplied Torx key to tighten the 4 security screws.

Warning: Do not Open the Camera

Adjust the camera on the bracket only. Opening the camera housing voids the warranty.

Fold Here