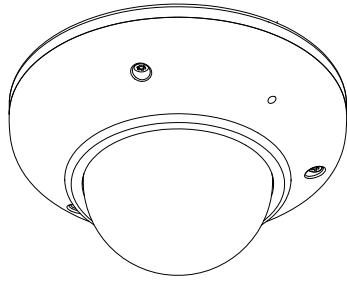


HD3Q Dome Camera

Quick Installation Guide



© Seon Design Inc. | January 2017 | All rights reserved.
www.seon.com Part Number: 700-1070 R2



Installation Kit Contents

The HD3Q camera with IR is designed for interior use only.

- 1 HD3Q camera, including dome, gasket, connector cable
- 2 #10 1" screws with washers
- 1 Security key
- 1 Installation Guide
- 1 Drilling template

WARNING: Cable Compatibility

This camera requires a special Analog High Definition (AHD) cable - as indicated by a blue band in front of the connectors. Note that a standard cable may appear to work on a small analog screen, but the image will be significantly degraded during subsequent playback.

1. Choose Camera Location

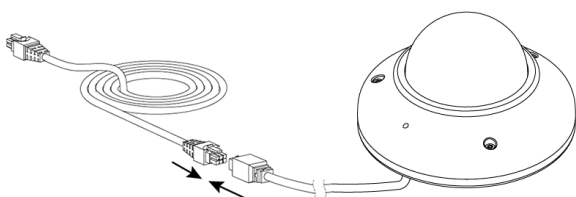
1. Determine the location for mounting the camera.
 - choose a solid surface to minimize vibration
 - choose a location away from access panels, hatches, or doors which may block the camera view
 - choose a location away from heat sources

Cameras are usually installed with the cabling running inside the wall panels.

2. Use the supplied drilling guide template to mark the cable (7/8") and screw (5/32") holes on the panel.
3. Use a step-bit to drill the cable hole, and regular bits for the screw holes.

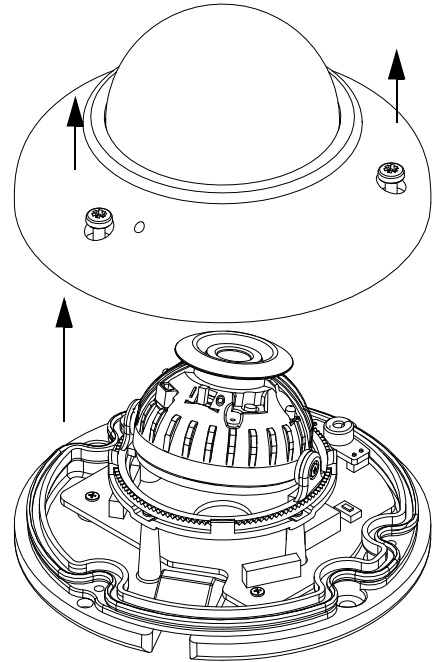
2. Connect the Camera

1. Connect the camera cable to the extension cable through the panel cable hole.
Important: ensure the extension cable has a blue band in front of the connectors, indicating it is AHD-compatible.
2. Connect the extension cable's 2x3 Micro-Fit connector into a digital video recorder.



3. Open the Camera

1. Using the security key supplied with the camera, loosen the captive screws on the housing.
2. Lift the housing off of the base.

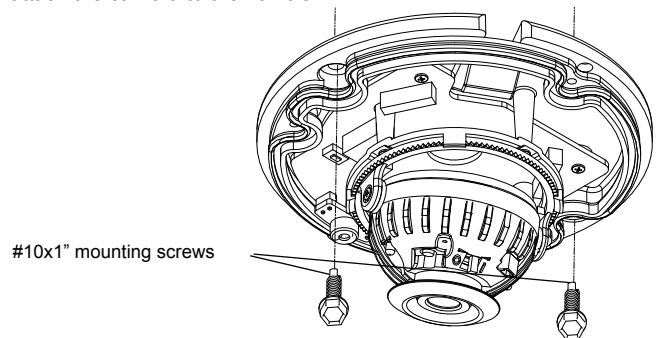


4. Install the Camera

INSTALL TIP: Camera PCB and Wiring

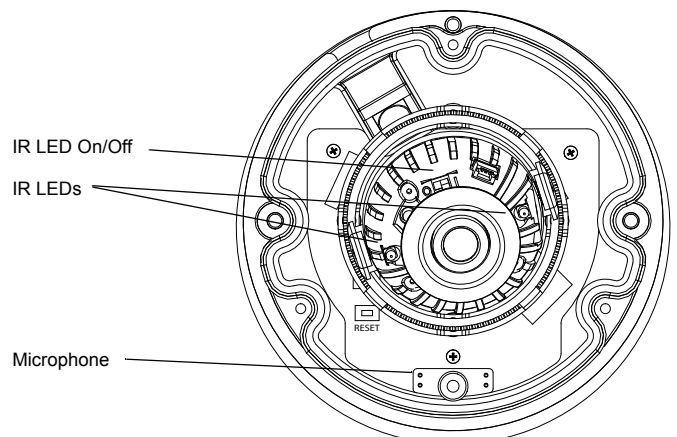
While installing the camera, do not impact the printed circuit board or wiring inside the camera with screws or screwdriver bits. Damage to the camera can occur.

Use the two #10x1" mounting screws supplied with the camera to attach the camera to the vehicle.



5. Infra-Red Settings

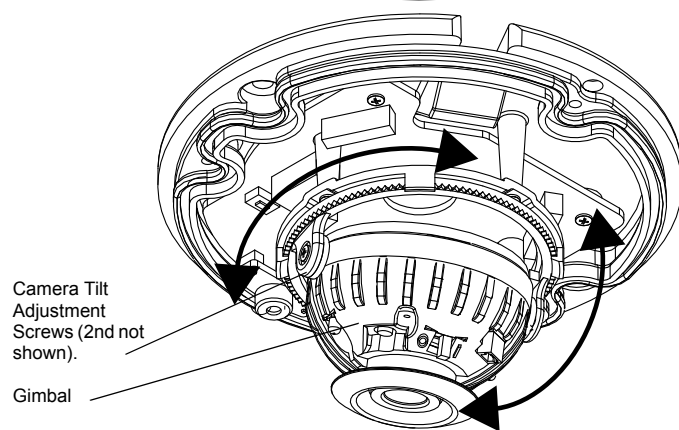
Infra-Red LED switch locations.



IR LED On/Off Switch I to O to turn off IR LEDs

6. Aim and Configure the Camera

With the camera connected to the DVR and both powered on, access the DVR using a monitor connected to the DVR local video out and set the camera view position.

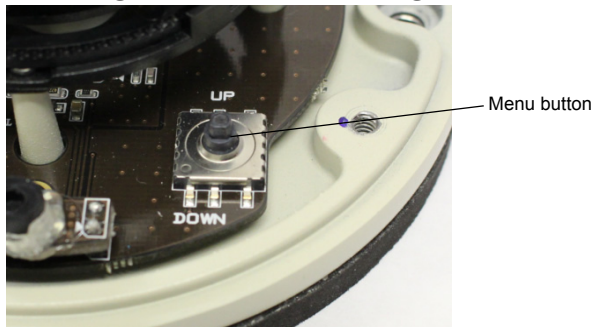


1. Before adjusting the camera, first loosen the camera's tilt adjustment screws.
2. With the DVR on-screen display showing the camera view, set the camera's tilt, pan, and rotate positions.
3. Re-tighten the gimbal screws.
4. Do not adjust after tightening screws.

INSTALL TIP: Do not adjust any other screws

The HD3Q camera has been factory adjusted for lens position.

7. Configuration Settings

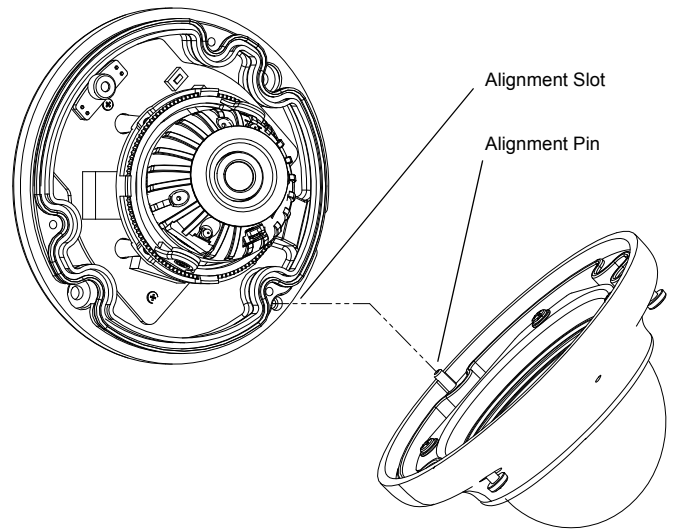


1. In the camera, press the menu button to display the configuration menu on the monitor.
2. Toggle the button up or down to select from BACKLIGHT or EXT LED options, or to SAVE and EXIT.
3. With an option selected, toggle the button left or right to select sub menu options.
4. Toggle up or down to exit the option and select SAVE and EXIT.

BLC (Back Light Compensation)	<ul style="list-style-type: none"> • OFF: (default) shutter speed is based on the light level of the entire image. • BLC: helps improve image quality when back lighting is strong.
WDR (Wide Dynamic Range)	<ul style="list-style-type: none"> • WDR: helps reduce glare for scenes with simultaneous wide variance in lighting.
External LED	<ul style="list-style-type: none"> • OFF: IR is disabled. Use in product configurations where IR is not required. • AUTO: (default) IR LEDs illuminate automatically upon HD3Q sensing a low light condition.

8. Replace Camera Dome

1. Fit the dome onto the base, **ensuring the pin on the dome is aligned with the slot on the base** before tightening the security screws.
2. Ensure the rubber IR boot around the camera lens is firmly pressed against the inside of the dome.
3. Use the security key to tighten the captive screws.



Specifications

Power Consumption	2.2 W (IR off); 3.7 W (IR on)
Operating Voltage Range	9 to 14 VDC (powered by DVR)
Operating Temperature Range	-4 to 122°F (-20 to 50°C)
Resolution	1080p
Infrared LED Lamps	2 high efficiency LEDs
Minimum Illumination	Color: 0.7 lux (F2.0) B&W, IR LED on: 0 lux
Enclosure Size	Diameter: 4.14" (105 mm) Height: 2.6" (66 mm)
Enclosure Material	Solid aluminum alloy
Dome	Impact-resistant polycarbonate, anti-glare, scratch-resistant hard coating, UV protected
Connector Cable Length	9.5" (24 cm)
Weight	0.8 lbs (0.35 kg)

Routine Maintenance

Most liquid cleaners or graffiti gel can be used to clean your camera enclosure. Do not use abrasive cleaners that can scratch the window and reduce visibility of the camera.

Replacing Damaged Housing

If the camera housing or dome is damaged or scratched, order a replacement housing from your camera distributor.

To remove and replace the housing, follow the steps in section 3 **Open the Camera** and section 8 **Replace Camera Dome**.

Service

If your HD3Q Series Wedge Camera is to be returned to Seon Design for service, please call toll free 1-877-630-7366, or 604-941-0880, and provide the model and/or serial number of your unit. Ask for a Return Authorization (RA) number. An RA number allows the Service Technicians to better track your product when it comes in for service. Please show the RA number on the outside of the package.

ANY PRODUCT SENT TO SEON DESIGN WITHOUT AN RA NUMBER MAY BE REFUSED.

Warranty

For full warranty information, go to www.seon.com/warranty.html. Information in this guide is subject to change without notice.

Customer Service Contact Information

Toll free telephone 1-877-630-7366	Local telephone 604-941-0880
Email: service@seon.com	Web: www.seon.com