

## Step 6: Replace Camera Dome

1. Fit the dome onto the base, ensuring the foam IR boot around the camera lens is firmly pressed against the inside of the dome.
2. Use the security key to tighten the captive screws.

## Specifications

Power Consumption	1 W (IR off); 2 W (IR on)
Operating Voltage Range	12 VDC $\pm$ 10% (powered by DVR)
Operating Temperature Range	-4 to 122°F (-20 to 50°C)
Resolution	720p
Infrared LED Lamps	12 LEDs (5mm)
Minimum Illumination	Color: 0.1 lux (F2.0) B&W, IR LED on: 0 lux
Enclosure Size	Diameter : 3.74" (95 mm) Height: 2.64" (67 mm)
Enclosure Material	Solid aluminum alloy
Dome	Impact-resistant polycarbonate, anti-glare, scratch-resistant hardcoating, UV protected
Connector Cable Length	12" (30 cm)
Weight	0.52 lbs (0.24 kg)

## Support

### Service

If your HD1Q Series Dome Camera is to be returned to Seon Design for service, please call toll free **1-877-630-7366**, or **604-941-0880**, and provide the model and/or serial number of your unit. Ask for a Return Authorization (RA) number. An RA number allows the Service Technicians to track your product when it comes in for service. Please display the RA number on the outside of the package. ANY PRODUCT SENT TO SEON DESIGN WITHOUT AN RA NUMBER WILL BE RETURNED.

### Warranty

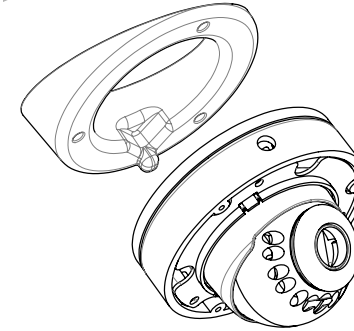
For full warranty information, go to [www.seon.com/warranty.html](http://www.seon.com/warranty.html).

### Documentation

Copies of this guide can be found online at <https://community.seon.com>

Information in this guide is subject to change without notice.

## HD1Q Dome Camera with Angle Mount Shim Quick Install Guide



## Installation Kit Contents

The HD1Q camera with IR designed for interior use only. This Guide replaces the HD1Q Dome Camera Quick Install Guide (part # 700-1084) for installations requiring the angle mount shim.

### Shim Kit (part # 020-1041):

- 1 shim angle mount (part # 665-1017)
- 2 x No. 8 screws (2" length, part # 600-1015)
- 1 x No. 8 screw (1.25" length, part # 600-1016)
- 3 x rubber washers (part # 610-1001)
- 1 Quick Install Guide (part # 700-1094)

### Camera Kit:

- 1 HD1Q camera, including dome, gasket, and connector cable
- 3 x No. 10 screws with washers (1" length, part # 600-1012)  
*\* not used for shim installations*
- 1 Security key (part # 645-1003)
- 1 Quick Install Guide (part # 700-1084)  
*\* not used for shim installations*
- 1 Drilling template (Part # 700-1090)  
*\* not used for shim installations*

### WARNING: Cable Compatibility

This camera requires a special Analog High Definition (AHD) cable - as indicated by a blue band in front of the connectors. The AHD cable is not included with the camera kit. If you require an AHD Cable, please contact our customer service department to place an order.

## Step 1: Choose Camera Location

Note: Consider the desired field of view, area of focus, and camera/shim assembly orientation. Generally, the shallow side of the shim should point in the direction of the camera lens.

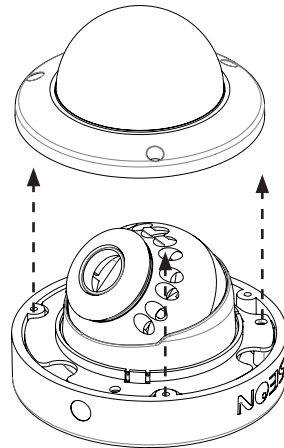
1. Determine the location for mounting the camera.
  - a. Choose a solid surface to minimize vibration
  - b. Choose a location away from access panels, hatches, or doors which may block the camera view
  - c. Choose a location away from heat sources
  - d. Cameras are usually installed with the cabling running inside the wall panels.
2. Use the angle mount shim as a guide to mark the cable hole (7/8") on the panel.
3. Use a step-bit to drill the cable hole.

## Step 2: Remove Camera Dome

1. Using the security key supplied with the camera, loosen the captive screws on the housing.
2. Lift the housing off of the base.

## Step 3: Connect Camera to DVR

1. Position the shim against the camera base and pull the camera cable through the center of the shim.
2. Connect the camera cable to the extension cable through the panel cable hole.  
*Important:* ensure the extension cable has a blue band in front of the connectors, indicating it is AHD-compatible.
3. Connect the extension cable's 2x3 Micro-Fit connector to the DVR.

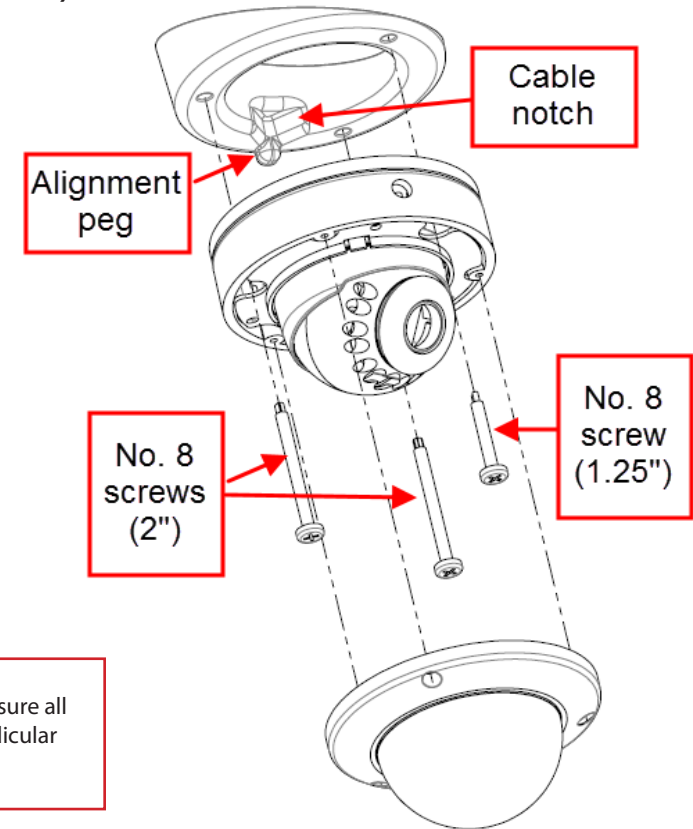


## Step 4: Install Camera and Shim Angle Mount

1. Slide a rubber washer over each of the mounting screws.
2. Use the alignment peg to position the camera base against the shim so the cable notch and the mounting holes line up.

## Step 4 (continued)

3. Slide one of the longer self-drilling mounting screws (No. 8 x 2") through the camera and the hole at a thicker edge of the shim, and attach it to the vehicle panel.
4. Repeat step 3 with the other 2" mounting screw.
5. Slide the shorter self-drilling mounting screw (No. 8 x 1.25") through the camera and the hole at the thinnest edge of the shim, and fully attach the camera/shim assembly.



## Step 5: Aim Camera

1. With a monitor connected to the DVR, power up the system. The monitor should display the multiple camera views once the DVR is powered up.
2. Double-click a camera to display it in full-screen mode.
3. Aim the camera by tilting and rotating as required.

