

Specifications

Power Consumption	1 W (IR off); 2 W (IR on)
Operating Voltage Range	12 VDC \pm 10% (powered by DVR)
Operating Temperature Range	-4 to 122°F (-20 to 50°C)
Resolution	720p
Infrared LED Lamps	12 LEDs (5mm)
Minimum Illumination	Color: 0.1 lux (F2.0) B&W, IR LED on: 0 lux
Enclosure Size	Diameter : 3.74" (95 mm) Height: 2.64" (67 mm)
Enclosure Material	Solid aluminum alloy
Dome	Impact-resistant polycarbonate, anti-glare, scratch-resistant hardcoating, UV protected
Connector Cable Length	12" (30 cm)
Weight	0.52 lbs (0.24 kg)

Support

Routine Maintenance

Most liquid cleaners or graphite gel can be used to clean your camera enclosure. Do not use abrasive cleaners that can scratch the window and reduce visibility of the camera.

Replacing Damaged Housing

If the camera housing or dome is damaged or scratched, order a replacement part from Seon. To remove and replace the housing, follow the steps in Step 3 and Step 6.

Service

If your HD1Q Series Dome Camera is to be returned to Seon Design for service, please call toll free **1-877-630-7366**, or **604-941-0880**, and provide the model and/or serial number of your unit. Ask for a Return Authorization (RA) number. An RA number allows the Service Technicians to track your product when it comes in for service. Please display the RA number on the outside of the package. ANY PRODUCT SENT TO SEON DESIGN WITHOUT AN RA NUMBER WILL BE RETURNED.

Warranty

For full warranty information, go to www.seon.com/warranty.html.

Documentation

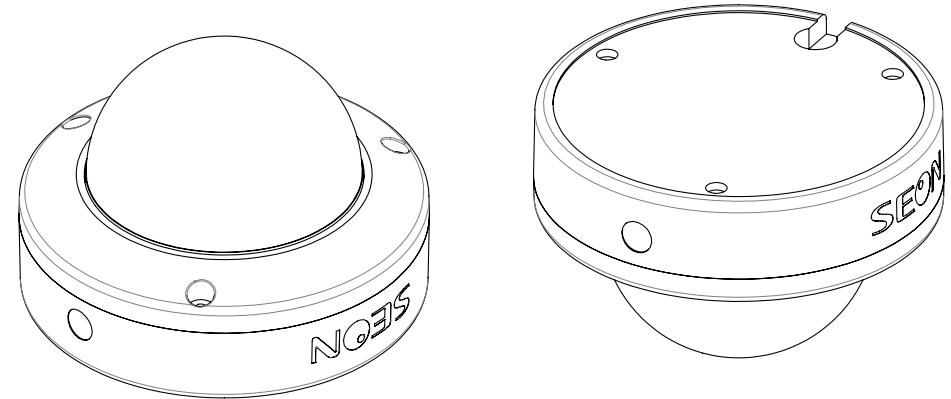
Copies of this guide can be found online at <https://community.seon.com>

Information in this guide is subject to change without notice.

SEON

A Safe Fleet Brand

HD1Q Dome Camera Quick Install Guide



Installation Kit Contents

The HD1Q camera with IR is designed for interior use only. You'll find in this kit the following components:

- 1 HD1Q camera, including dome, gasket, and connector cable
- 3 x No. 10 screws with washers (1" length)
- 1 Security key
- 1 Quick Install Guide
- 1 Drilling template (Part #: 700-1090)

WARNING: Cable Compatibility

This camera requires a special Analog High Definition (AHD) cable - as indicated by a blue band in front of the connectors. The AHD cable is not included with the camera kit. If you require an AHD Cable, please contact our customer service department to place an order.

Step 1: Choose Camera Location

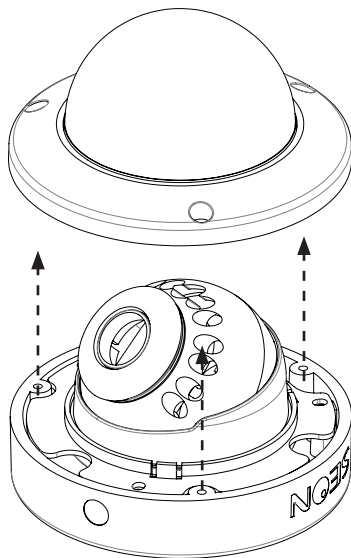
1. Determine the location for mounting the camera.
 - a. Choose a solid surface to minimize vibration
 - b. Choose a location away from access panels, hatches, or doors which may block the camera view
 - c. Choose a location away from heat sources
 - d. Cameras are usually installed with the cabling running inside the wall panels.
2. Use the supplied drilling guide template to mark the cable (7/8") and screw (5/32") holes on the panel.
3. Use a step-bit to drill the cable hole, and regular bits for the screw holes.

Step 2: Connect Camera to DVR

1. Connect the camera cable to the extension cable through the panel cable hole.
Important: ensure the extension cable has a blue band in front of the connectors, indicating it is AHD-compatible.
2. Connect the extension cable's 2x3 Micro-Fit connector to the DVR.

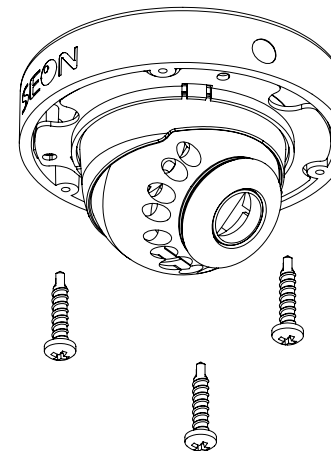
Step 3: Remove Camera Dome

1. Using the security key supplied with the camera, loosen the captive screws on the housing.
2. Lift the housing off of the base.



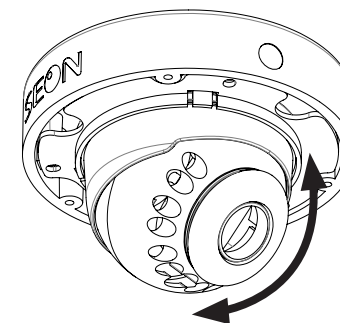
Step 4: Install Camera

Use the three No. 10 x 1" mounting screws supplied with the camera to attach the camera to the vehicle.



Step 5: Aim Camera

1. With a monitor connected to the DVR, power up the system. The monitor should display the multiple camera views once the DVR is powered up.
2. Double-click a camera to display it in full-screen mode.
3. Aim the camera by tilting and rotating as required.



Step 6: Replace Camera Dome

1. Fit the dome onto the base, ensuring the foam IR boot around the camera lens is firmly pressed against the inside of the dome.
2. Use the security key to tighten the captive screws.