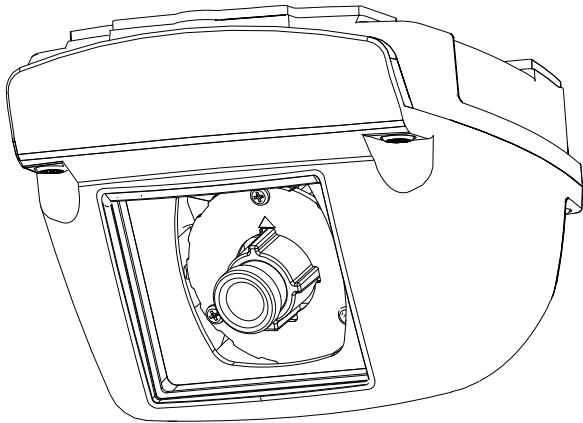


SEON

Wedge Camera CHW Series Installation Guide



© Seon Design Inc. | December 2011 | All rights reserved.
www.seon.com Part Number: 700-0149 R001



Installation Kit Contents

- 1 CHW Series wedge camera and cable
- 3 #10 3/4" Phillips screws
- 1 security key
- 1 Quick Installation Guide
- 1 Drilling guide template

1. Choose Camera Location

1. Determine the location for mounting the camera. Select a flat location to minimize possible moisture leakage into the vehicle.



CAUTION: Vehicle Leakage Risk

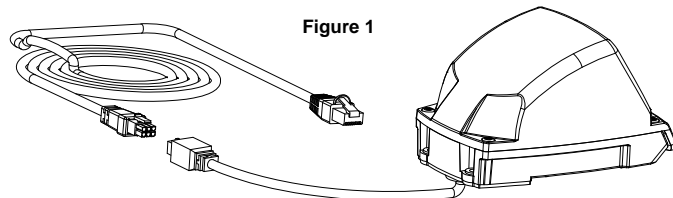
For outdoor installations, if a flat surface is not available, carefully seal the mounting holes under the base of the camera after installation. Do NOT apply silicone or other sealants around the base of the camera.

Cameras must be installed with the cabling running inside the wall panels.

2. Use the supplied drilling guide template to mark the cable (11/16") and screw (5/32") holes on the panel.
3. Use a step-bit to drill the cable hole, and regular bits for the screw holes.

2. Connect the Camera

1. Connect the blue camera cable to the blue extension cable through the panel cable hole. See Figure 1.



2. Connect the blue extension cable's RJ45 connector into the Seon Power over Ethernet (POE) supply.



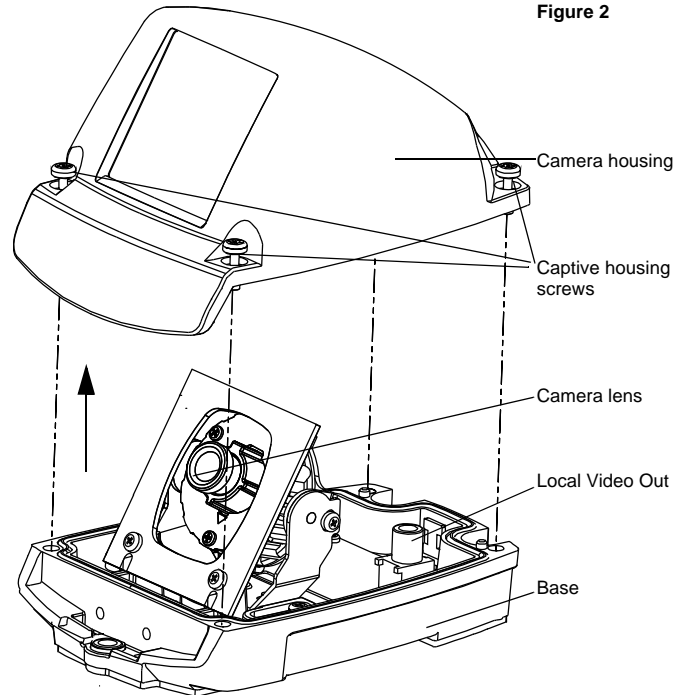
CAUTION: Seon POE Connection

The CHW camera extension cable's RJ45 connector must be plugged into a Seon POE-enabled RJ45 socket. Connecting other POE devices to the Seon CHW HD camera will void the warranty and damage the POE, the camera, or both. Seon is not responsible for any damage caused by product misuse.

3. Open the Camera

1. Using the security key supplied with the camera, loosen the four captive screws on the housing. See Figure 2.
2. Lift the housing off of the base.

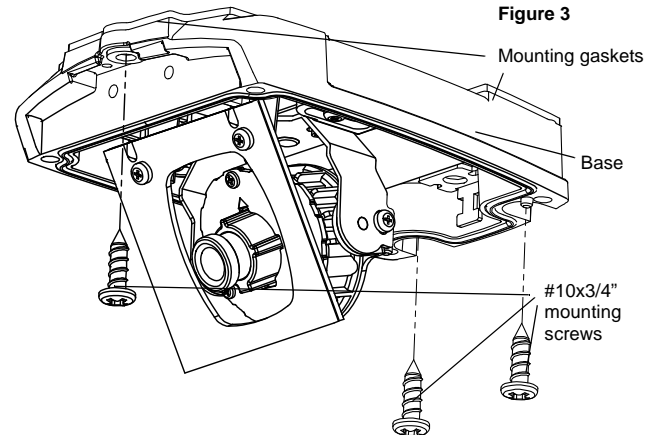
Figure 2



4. Install the Camera

Use the three #10x3/4" mounting screws supplied with the camera to attach the camera to a wall or ceiling. See Figure 3.

Figure 3



The mounting gaskets on the camera base seal the screw and cable holes when mounted on a flat surface.



CAUTION: Ventilation Blockage Risk

The camera is designed to vent for proper operation. Do NOT apply silicone or other sealants around the base of the camera.

5. Connect Local Video Out

1. Connect an RCA cable to the Local Video Out RCA jack, shown in Figure 2.
2. Connect the RCA cable to a video monitor to see the camera's line of view while adjusting the camera's rotation, pan, and tilt positions.

NOTE: After plugging in to the RCA local video out jack, the camera takes 5 seconds to display the analog video.

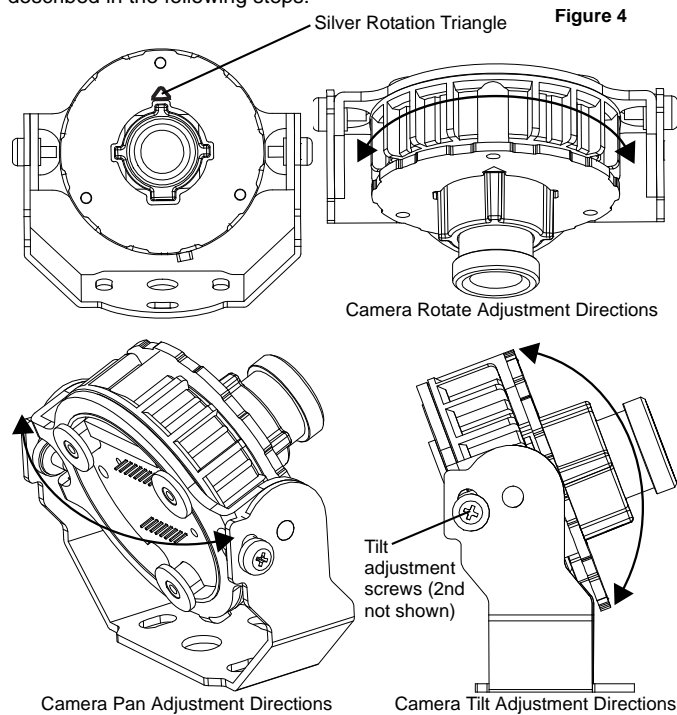


WARNING: Seon POE Equipment only

The CHW camera is designed for use with Seon POE injectors. Plugging it into other devices may damage the camera, the device, or both.

6. Aim the Camera

To get the required video image, adjust the camera's rotation, pan, and tilt settings using the adjustment controls shown in Figure 4 and described in the following steps:



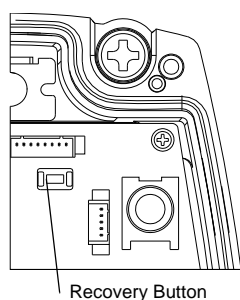
- Rotation:** depending on how the camera is mounted, turn the camera lens until the silver triangle on the lens face is pointed straight up to ensure the camera shows a level view.
- Pan:** grip the camera pan adjustment U-Bracket sides and twist it to find the required view.
- Tilt:** loosen the tilt adjustment screws on the U Bracket until the camera can tilt. Tighten the tilt screws after adjustments are complete. Do not adjust tilt after tightening screws.

Do not adjust any other screws.

7. Configuration Settings

For configuration switch locations, see Figure 5.

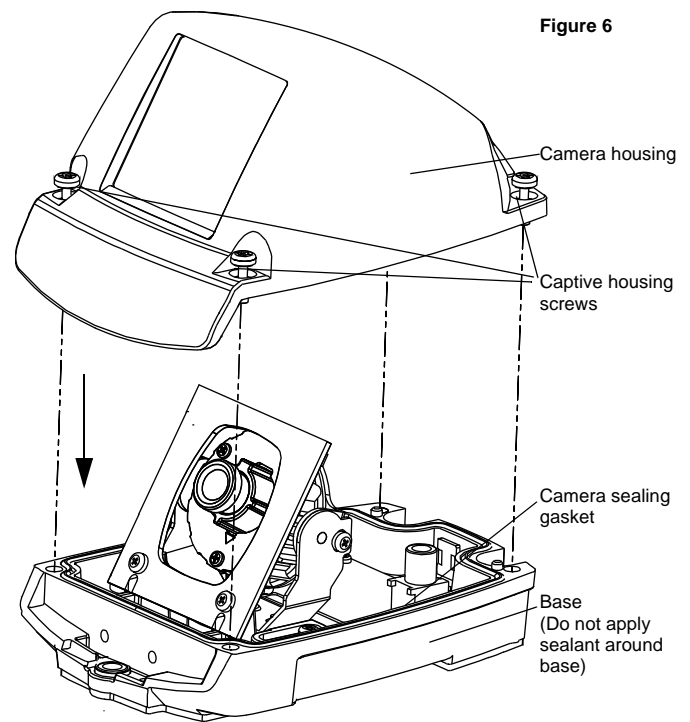
Figure 5



Recovery	<ul style="list-style-type: none"> In the event of communication failure between the CHW camera and the DVR, hold the Recovery button for 8 second to return the camera IP address to the factory setting. If this button is pressed, check that the HD Cam Defaults button in the DVR configuration menu is also reset to the default factory setting.
-----------------	--

8. Replace Camera Housing

- Fit the housing onto the base. See Figure 6.
- Use the security key to tighten the four captive locking screws.



Specifications

Power Consumption	7 W max. @ 12 VDC
Operating Voltage Range	10 to 17 VDC (POE injection)
Operating Temperature Range	-40 to 140°F (-40 to 60°C)
Horizontal resolution	1280x720P progressive scan
Enclosure Size, LxWxH	5.16" (131 mm) x 3.45" (88 mm) x 3" (77 mm)
Enclosure Material	Solid aluminum alloy, powder coated
Window	Impact-resistant polycarbonate, scratch-resistant, UV protected
Connector Cable Length	12" (30 cm)
Weight	19.4 oz (550 g)

Routine Maintenance

Most liquid cleaners or graffiti gel can be used to clean your camera enclosure. Do not use abrasive cleaners that can scratch the window and reduce visibility of the camera.

Replacing Damaged Housing

If the camera housing and window is damaged or scratched, order a replacement housing from your camera distributor.

To remove and replace the housing, follow the steps in section 3 **Open the Camera** and section 8 **Replace Camera Housing**.

Service and Warranty

If your CHW Series Wedge Camera is to be returned to Seon Design for service, please call toll free 1-877-630-7366, or 604-941-0880, and provide the model and/or serial number of your unit. Ask for a Return Authorization (RA) number. An RA number allows the Service Technicians to better track your product when it comes in for service. Please show the RA number on the outside of the package.

ANY PRODUCT SENT TO SEON DESIGN WITHOUT AN RA NUMBER MAY BE REFUSED.

Please refer to the Warranty form provided with your product to review the terms of warranty service, contact and shipping information, as well as other important issues regarding the service and operation of your product. Information in this guide is subject to change without notice.