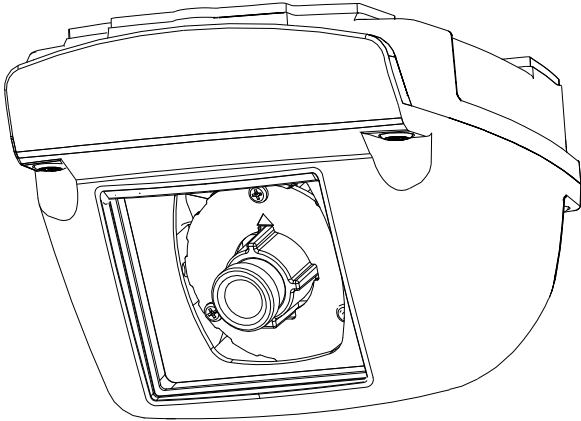


CHW8PD Wedge Camera Installation Guide



© Seon Design Inc. | March 2016 | All rights reserved.
www.seon.com Part Number: 700-1054 R003



Installation Kit Contents

- 1 CHW8PD HD camera, with local video out adaptor cable
- 3 #10 3/4" Phillips screws
- 1 security key
- 1 Installation Guide
- 1 Drilling template

1. Choose Camera Location

1. Determine the location for mounting the camera. Select a flat location to minimize possible moisture leakage into the vehicle.

INSTALL TIP: Seal the camera mounting holes

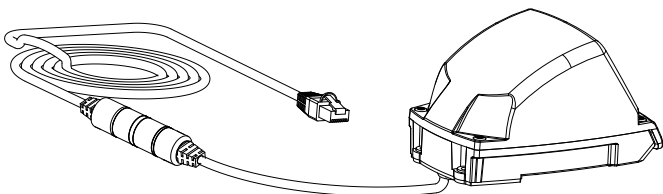
For outdoor installations, if a flat surface is not available, carefully seal the mounting holes under the base of the camera after installation. Do NOT apply silicone or other sealants around the base of the camera.

Cameras must be installed with the cabling running inside the wall panels.

2. Use the supplied drilling guide template to mark the cable (7/8") and screw (5/32") holes on the panel.
3. Use a step-bit to drill the cable hole, and regular bits for the screw holes.
4. Connect the extension cable's RJ-45 connector to a HX16 POE HD CAM port.
5. Thread the camera extension cable from the DVR to the camera location through the panel cable hole.

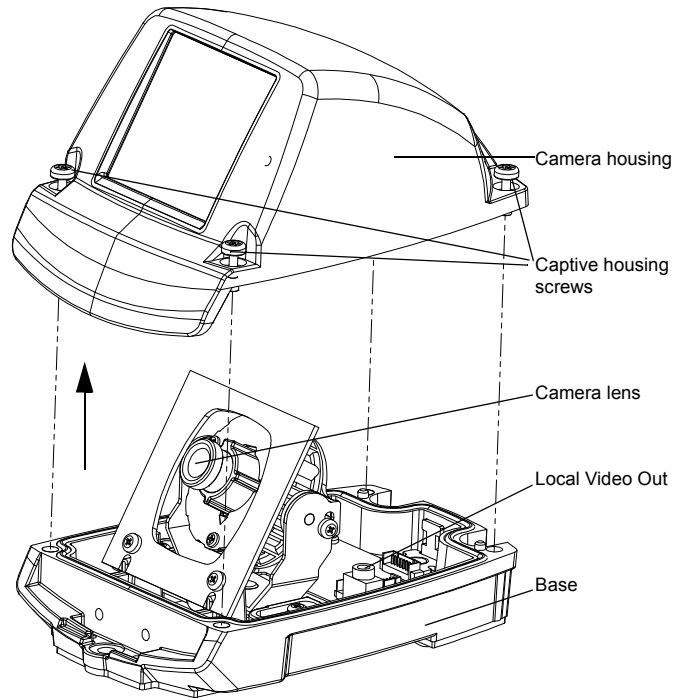
2. Connect the Camera

1. Connect the camera cable and extension cable RJ45 connectors.
2. Thread the connector caps together.



3. Open the Camera

1. Using the security key supplied with the camera, loosen the captive screws on the housing.
2. Lift the housing off of the base.

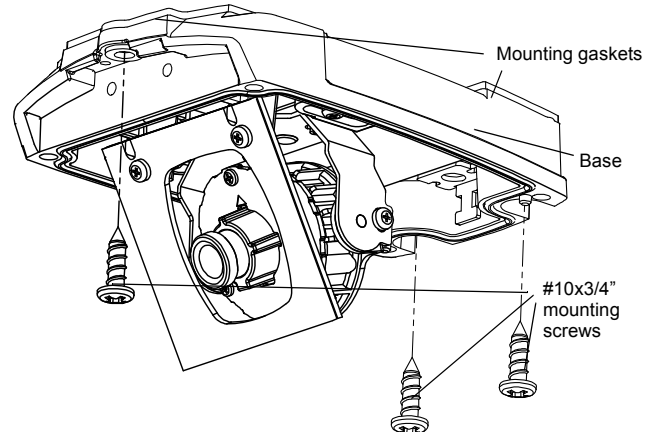


4. Install the Camera

INSTALL TIP: Camera PCB and Wiring

While installing the camera, do not impact the printed circuit board or wiring inside the camera with screws or screwdriver bits. Damage to the camera can occur.

Use the three #10x3/4" mounting screws supplied with the camera to attach the camera to a wall or ceiling.



The mounting gaskets on the camera base seal the screw and cable holes when mounted on a flat surface.

INSTALL TIP: Allow Camera Ventilation

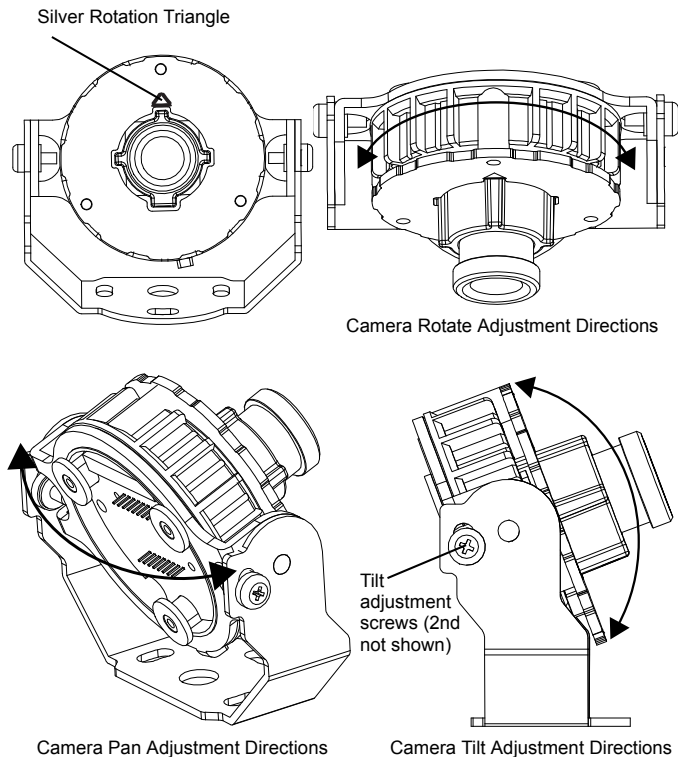
The camera is designed to vent for proper operation. Do NOT apply silicone or other sealants around the base of the camera.

5. View Camera Output

1. Power on the DVR and camera.
2. Connect the supplied local video out adaptor cable's 3.5mm audio plug to the camera's Local Video Out socket. See the image in section 3.
3. Connect the local video out cable's RCA end to a video monitor to see the camera's line of view while adjusting the camera's rotation, pan, and tilt positions.

6. Aim the Camera

To get the required video image, adjust the camera's rotation, pan, and tilt settings using the adjustment controls shown below.



- Rotation:** depending on how the camera is mounted, turn the camera lens until the silver triangle on the lens face is pointed straight up to ensure the camera shows a level view.
- Pan:** grip the camera pan adjustment U-Bracket sides and twist it to find the required view.
- Tilt:** loosen the tilt adjustment screws on the U Bracket until the camera can tilt. Tighten the tilt screws after adjustments are complete. Do not adjust tilt after tightening screws.

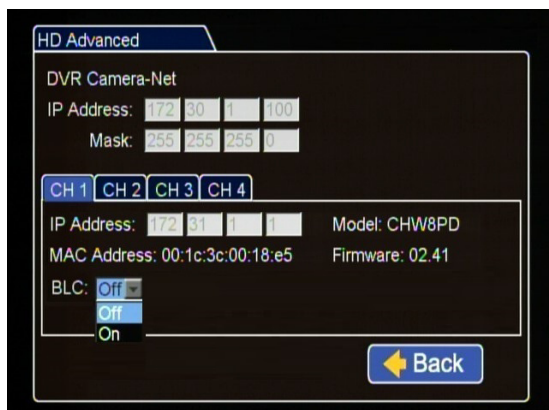
INSTALL TIP: Do not adjust any other screws

The CHW8PD camera has been factory adjusted for lens position. Sliding back the gimbal may result in the camera seeing parts of the housing.

7. Back Light Compensation

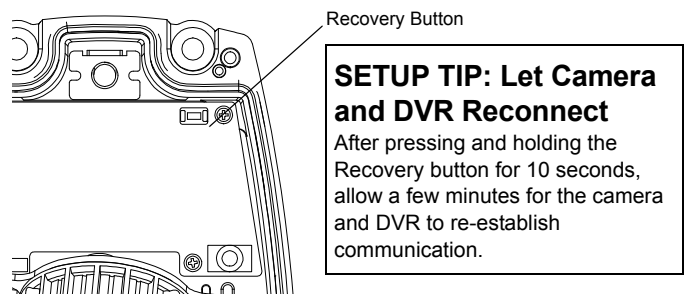
Use these steps if enabling back light compensation is requested.

- In the HX16 DVR on-screen display, go to Configuration , and go to Record, Camera, HD Settings, HD Advanced,
- In the HD Advanced menu, select the channel tab for the CHW8PD camera.
- In the BLC drop down menu, select On to enable back light compensation.



8. Recovery Button Option

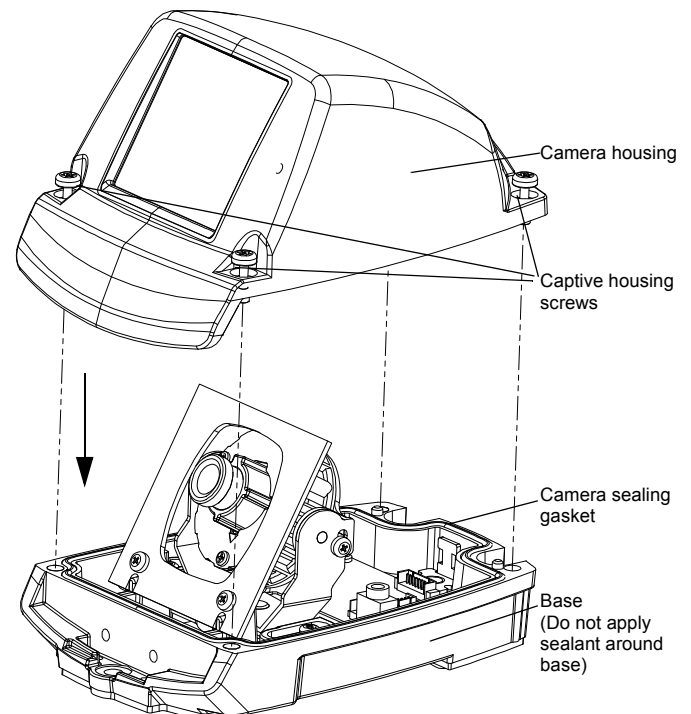
If required, use the recovery button to reset the camera to factory defaults.



Recovery In the event of communication failure between the CHW camera and the DVR, hold the Recovery button for 10 seconds to return the camera IP address to the factory setting.

9. Replace Camera Housing

- Fit the housing onto the base as shown.
- Use the security key to tighten the captive screws.



Specifications

Power Consumption	8 W maximum
Operating Voltage Range	802.3af (powered by the DVR)
Operating Temperature Range	-40 to 122°F (-40 to 50°C)
Resolution	Explorer HX16: 720p, 1080p, 3MP
Enclosure Size, LxWxH	5.16" (131 mm) x 3.45" (88 mm) x 3" (77 mm)
Enclosure Material	Solid aluminum alloy, powder coated
Window	Impact-resistant polycarbonate, scratch-resistant, UV protected
Connector Cable Length	15" (39 cm)
Weight	1.2 lbs (545 g)

Warranty

For full warranty information, go to www.seon.com/warranty.html. Information in this guide is subject to change without notice.

Customer Service Contact Information

Toll free telephone 1-877-630-7366 | Local telephone 604-941-0880
 Email: service@seon.com | Web: www.seon.com