

Configuration

Recorder

For setup procedures, see "Camera Settings → Configuring Video Sources" (RTSP) in the recorder documentation applicable to your installation:

- *TH8 Installation and Configuration Guide* (part #700-1123)*
 - * TH8 recorders also require installation of a POE injector. For more information, see the *TH8 & NH16K 48 V POE Injector Quick Installation Guide* (part # 700-1228).
- *NH16 Hybrid NVR Installation and Configuration Guide* (part #700-1223)

For specific configuration details, please see the RTSP information card (part #700-1237) included with your camera.

Camera Settings

If you need to modify the default video frame-rate, resolution, or bit-rate, see the [Safe Fleet Community Installer Resources page](#) for instructions on using the Web client to apply custom C8Q2PD settings.

Service & Support

If your IP dome camera is to be returned for service, please contact the Safe Fleet technical support team, provide the part and/or serial # of your unit, and ask for a **Return Merchandise Authorization (RMA)** number.

An **RMA #** allows the support team to better track your product when it comes in for service. Please show the RMA # on the **outside** of the package.

ANY PRODUCT SENT WITHOUT AN RMA# MAY BE REFUSED!

Documentation and Warranty

Additional copies of this guide along with other documentation and product warranty can be found on the Safe Fleet Community website: <https://community.safefleet.net>

Technical Support

Phone: 1.844.899.7366

Email: PTsupport@safefleet.net



C8Q2PD 4K IP Dome Camera

Quick Installation Guide

This guide covers installation procedures for the camera model **C8Q2PD03AF-FF20** (forward-facing bracket mounted - for more information, see the *C8Q2PD Forward-facing Bracket Quick Installation Guide*, part #700-1243).

The C8Q2PD camera is designed for interior use only.



Installation Kit Contents

Check the package and contents for visible damage. If any components are damaged or missing, contact the Safe Fleet Service team and request an RMA (Return Material Authorization).

General purpose components

- Camera, including dome (C8Q2PD03AF)
- T20 Torx security wrench (645-1001)
- RJ45 grommet-threading tool (645-1015)
- Test monitor cable (060-1068)
- Camera base grommet - spare (640-1004)
- Ethernet (CAT5e) patch cable - 20-ft/6.1m length (MSS-4030-20-02-ETH)
- RTSP information card (700-1237)
- Drill template (700-1232)*
- Qty. 2 #10 x 1 1/2" mounting screws (600-1032)*
- Camera base gasket (680-1010)*

* *Not used for bracket mounting*

Bracket-mounting components

- Bracket adapter plate (660-1098)
- Qty. 2 #8-32 x 3/8" flat head mounting screws (600-1030)
- Qty. 2 #8-32 x 3/4" pan head mounting screws (600-1031)

Cable Requirements

We recommend purchasing camera harnesses directly from Safe Fleet. All network cabling must be installed according to applicable codes and regulations.

Cable should be CAT5e or CAT6, stranded or solid, 24 AWG or better. Both ends must be terminated with male RJ45 connectors, and should conform to TIA/EIA-568-B standards. Spliced cables are not acceptable.

Installation Environment

When installing the camera, consider the following:

- **Electrical:** Install electrical wiring carefully. This should be done by qualified service personnel. Always use a proper PoE switch to power the camera.
- **Ventilation:** Ensure the location planned for the camera installation is well-ventilated.
- **Temperature:** Do not operate the camera beyond the specified temperature, humidity, or power source ratings. The operating temperature of the camera is between -20°C and +50°C (-4°F to +122°F).
- **Servicing:** Do not attempt to repair this camera yourself. Any attempt to dismantle the product, except as required for normal installation, will negate the warranty, and may also result in injury. Refer all servicing to qualified service personnel.
- **Cleaning:** Do not touch the lens with your fingers. If cleaning is necessary, use a clean, soft cloth with isopropyl alcohol and gently wipe the camera.

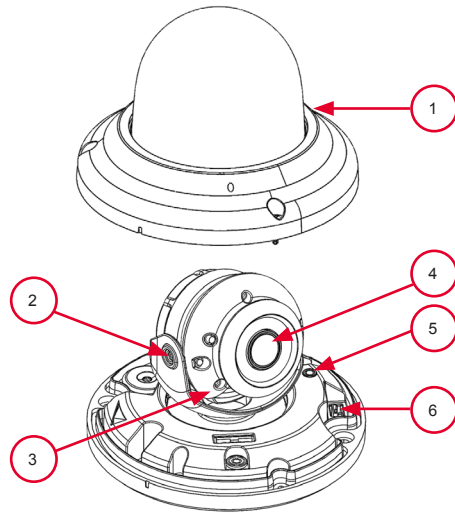


2002/96/EC (WEEE directive): This product cannot be disposed of as unsorted municipal waste in the European Union. For proper recycling, return the product to your local supplier upon the purchase of equivalent new equipment, or dispose of it at designated collection points, for more information, see www.recyclethis.info.
2006/66/EC (battery directive): This product does not contain batteries.

Camera Components

1. Dome cover
2. Tilt stopper screw
3. Gimbal
4. Lens
5. Reset button*
6. Test monitor cable connector

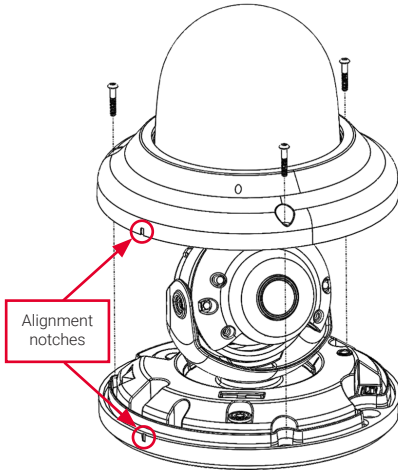
*While the camera is powered, press and hold the Reset button for 5 seconds to return settings to the factory defaults.



Opening the Camera

Before installing the camera, remove the dome cover from the camera base:

1. Use the Torx security wrench supplied with the camera to loosen the three captive screws and detach the dome cover.
2. Remove the protective film from the top and inside of the dome cover.



TIP: Base/dome alignment

Align the notches on the dome cover and base to ensure parts fit correctly when re-assembling the camera.

Mounting the Camera

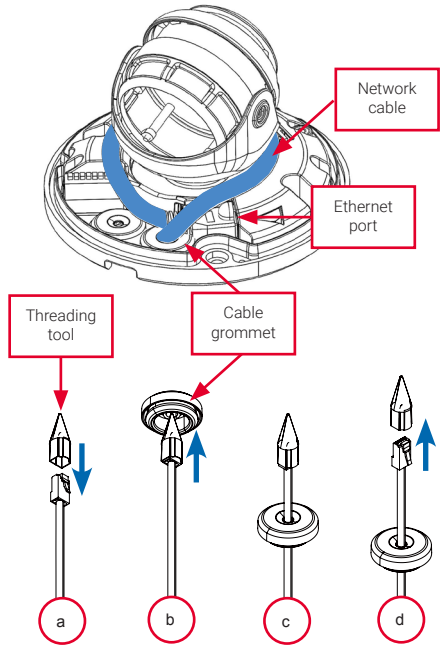
For mounting instructions, see the *C8Q2PD Forward-facing Bracket Quick Install Guide* (part #700-1243).

Connecting the Network Cable

CAUTION: Cable strain

To minimize cable strain/kinking, run the cable through the grommet closest to the camera's Ethernet port and wrap around the gimbal, as shown.

1. Snap the grommet closest to the Ethernet port out of the camera base and run the cable through the grommet hole.
2. Use the threading tool to pass the RJ45 connector through the grommet, as shown.
3. Wrap the cable around the gimbal and connect the RJ45 to the Ethernet port.
4. Snap the grommet/cable back into the grommet hole, and ensure it is seated/sealed properly.



Aiming the Camera

With the camera connected and the recorder/switch powered-on:

1. Plug one end of the supplied test monitor cable into the camera's test monitor cable connector (see #6 under "Camera Components" on the previous page). The gender of the BNC connector on the other end of this cable is female. Depending on the test monitor used, additional connectors or cabling may be required for connectivity.

– or –

Access the recorder using a monitor connected to the local video out, and navigate to the on-screen display's live camera view.

NOTES: Local video output

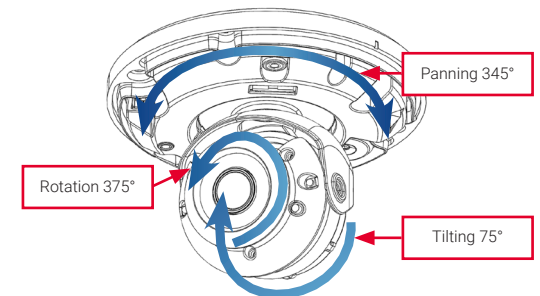
- Standard definition analog video signal.
- Test monitor cable is intended for temporary use.
- It may take up to 60 seconds from applying power for video to be present.

– or –

Browse to the camera's Web client: see the C8Q2PD tutorial on the [Safe Fleet Community Installer Resources](#) page for instructions on accessing the Live Viewer.

Aiming the Camera (continued)

2. To achieve the desired camera view position, adjust the 3-axis gimbal as shown. To fix the setting, tighten the tilt stopper screw (see #2 under "Camera Components" on the previous page).
3. If the test monitor cable was used, disconnect it from the camera.
4. Replace the camera dome cover:
 - Align the camera base and dome, then use the supplied Torx security wrench to tighten the captive screws (see "Opening the Camera" on the previous page).



Fold Here