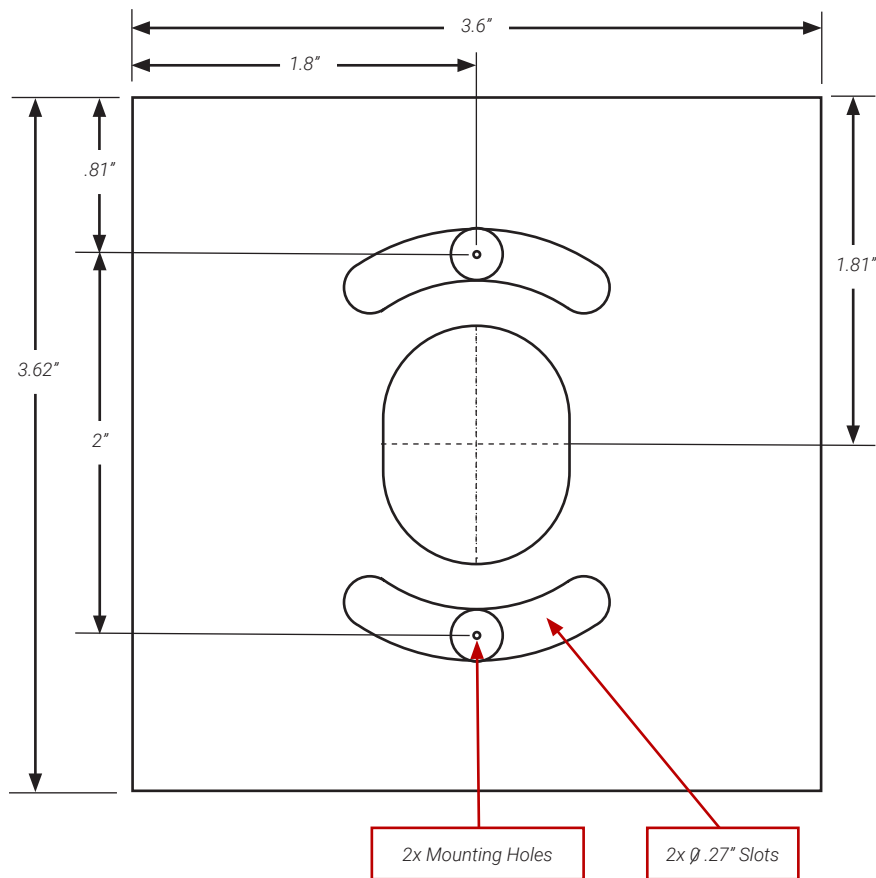


Drilling template

Use the following template to mark the positions of the mounting and cable entry holes on the mounting surface.



Support

- Phone: **1.844.899.7366**
- Email: **PTsupport@safefleet.net**

Documentation

Additional copies of this guide, along with other supporting documentation can be found on the Safe Fleet Community:

- <https://community.safefleet.net>



2002/96/EC (WEEE directive): This product cannot be disposed of as unsorted municipal waste in the European Union. For proper recycling, return the product to your local supplier upon the purchase of equivalent new equipment, or dispose of it at designated collection points, for more information, see www.recyclethis.info.

2006/66/EC (battery directive): This product does not contain batteries.

For use with camera model C8Q2PD03AF.

Introduction

Read these instructions before installing this product. A qualified service person, complying with all applicable codes, should perform the installation.

To use this document, you must have the following minimum qualifications:

- Basic knowledge of electronic surveillance systems and components
- Familiarity with electrical wiring and low voltage electrical hookups

Kit Components

Check components for visible damage. If any parts are damaged or missing, contact the Safe Fleet Service team and request an RMA (Return Material Authorization).

- Mounting bracket (MVC-9100-FF-BRKT)
- Bracket set-screw kit (020-1080)
 - Qty 2 1/4" - 20 x 1/2" hex head screws (600-1033)
 - Qty 2 1/4" washers (610-1005)
- Bracket adapter plate (660-1098)*
- Qty. 2 #8-32 x 3/8" flat head adapter plate mounting screws (600-1030)*
- Qty. 2 #8-32 x 3/4" pan head camera mounting screws (600-1031)*

* Shipped with C8Q2PD03AF camera

Warranty

For full warranty information, visit: www.seon.com/documents/Seon-Warranty.pdf

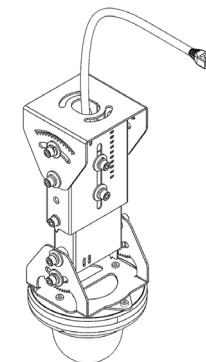
Service

If your bracket is to be returned for service, please call toll free 1.877.630.7366, or 1.844.899.7366, and provide the model and/or serial# of your unit.

Ask for a Return Merchandise Authorization (RMA) number. An RMA# allows the Service Technicians to better track your product when it comes in for service. Please show the RMA# on the outside of the package. ANY PRODUCT SENT WITHOUT AN RMA# MAY BE REFUSED.

Installation

You can mount the bracket/camera from above or below (inverted). Some mounting surfaces may require reinforcement to minimize camera vibration. In such cases, place a tapping plate behind the mounting surface.



Bracket Assembly and Camera

Wiring

Run the camera harness from the switch, recorder, or PoE Injector and feed through the cable entry hole and the mounting bracket.

For more information, see "Mounting the bracket assembly" in this guide, and the *C8Q2PD Quick Installation Guide* (700-1236).

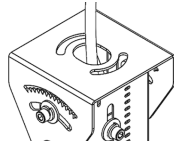
Mounting the Bracket

1. Choose a mounting location away from access panels, hatches, or doors which may block the camera view.

ⓘ Camera proximity to windshield

Install the camera close enough to the windshield to prevent glare, and far away enough to not vibrate against the windshield (about 3/4" or 20mm is recommended).

2. Use the provided template (see "Drilling template", on the back page of this guide) to mark the positions of the mounting and cable entry holes on the mounting surface.
3. Following local codes, cut the cable entry hole, then drill and prepare the mounting holes for the type of surface and fasteners you are using.
4. Feed the cable through the entry hole and into the mounting bracket. Ensure you will have at least a 21" (53 cm) of cable available inside the bracket when it's flush to the mounting surface.
5. Mount the bracket to the surface.



ⓘ Fasteners

We recommend using Rivnuts, #10-32 screws, and lock washers to mount the bracket. Consider applying blue Loctite to the screws.

Installing the Camera on the Bracket

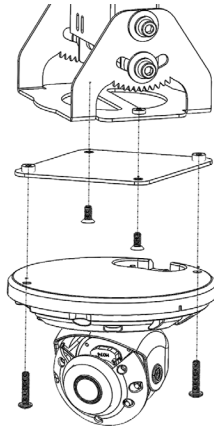
Before installing the camera, loosen the three captive screws and detach the dome cover from the camera base. For details, see the *C8Q2PD Quick Installation Guide* (700-1236).

1. Attach the adapter plate (660-1098) to the bracket using the two #8-32 x 3/8" flat head screws (600-1030).
The flat side of the plate faces outward, with the protrusions toward the bracket.
2. Connect the network cable to the camera.

⚠ See camera guide for cable routing instructions

To avoid damaging components and to minimize cable strain/kinking, follow the steps provided in "Connecting the Network Cable" in the *C8Q2PD Quick Installation Guide* (700-1236).

3. Use the two #8-32 x 3/4" pan head screws (600-1031) to mount the camera base to the adapter plate.
4. If any slack cable is left in the bracket/camera assembly, push it back out through the cable entry hole.



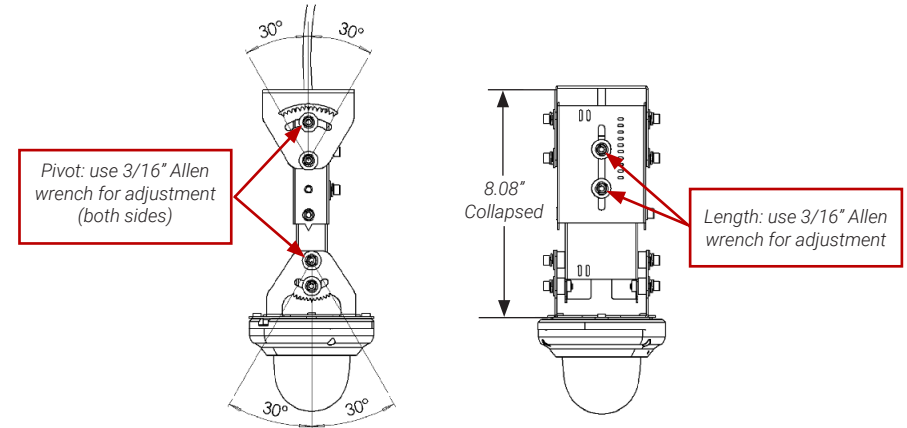
Installing the Camera on the Bracket (continued)

1. Make adjustments to the camera as necessary to obtain the desired view. For more information, see "Adjusting the bracket" below, and "Aiming the Camera" in the *C8Q2PD Quick Installation Guide* (700-1236).
2. Re-install the dome cover using the cover screws.

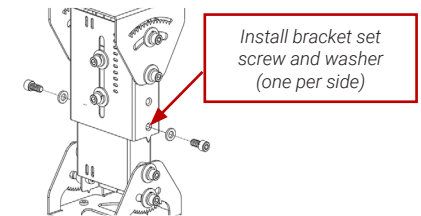
Adjusting the Bracket

The angle and length of the bracket assembly can be adjusted, as follows:

1. Loosen the 8 upper and lower pivot screws and the 2 length adjustment screws:



2. Set the bracket assembly to the desired length and angle.
3. When the field of view and bracket adjustments are complete, tighten all upper and lower pivot screws and both length adjustment screws. Consider using blue Loctite.
4. Place a washer (610-1005) on each bracket set screw (600-1033) and thread the screws into the inner slide bracket, as shown. Tighten the screws until they are fully inserted.



Fold Here