

Accessing the Camera Using a Web Browser

You can use a Web browser to access and configure the camera over an Ethernet connection. For a direct connection to a single camera:

1. Using a Web browser, enter the camera's IP address (*refer to the table below*). The Login dialog box appears.
2. Enter your user name and password. Default user name is **Admin** and default password is **11111111**.
3. Click **LOGIN**. The Web browser **Live View** appears.

NOTE: Browser Requirements

Chrome, Firefox, and Microsoft Edge are supported.

Internet Explorer is not supported.

Typical IP Addresses

The camera's default static IP address is 172.30.1.1. When connected to the network switch or directly to a recorder, the camera's IP address is assigned based on the device and port:

Connected Device	IP Address Range	Port Name	IP Address	
16-port Network switch (NS18POE16)	172.31.1.101 through 172.31.1.116	<P01-P16>	Change the last 2 digits based the port number. For example: the address for the camera connected to switch port #8 is: 172.31.1.108	
NH16 & NH16v2 recorders (directly to rear-panel)	172.31.1.141 through 172.31.1.144	NH16	NH16v2	Both Models
		IPCAM1	POE01	172.31.1.141
		IPCAM 2	POE02G	172.31.1.142
		WIFI	POE03	172.31.1.143
TH8 recorder (directly to rear panel)	172.31.1.141 and 172.31.1.142	Modem	POE04	172.31.1.144
		HD Cam Expansion 1		172.31.1.141
		HD Cam Expansion 2		172.31.1.142
DH4v2, DH6 & DH8 recorders (directly to rear panel)	N/A	LAN2		172.31.1.141

Documentation

Additional copies of this guide, along with other supporting documentation can be found on the Safe Fleet Community: <https://community.safefleet.net>

Information is subject to change without notice. For the latest version, please check Safe Fleet Community

Warranty

For full warranty information, visit:

<https://www.safefleet.net/documents/Seon-Warranty.pdf>

Support

- Phone: 1.844.899.7366
- Email: PTsupport@safefleet.net



C5Q1PD

Quick Install Guide

For camera models:

C5Q1PD104AF-BK, C5Q1PD104A-BK, C5Q1PD104A, C5Q1PD078AF-BK, C5Q1PD078A-BK, C5Q1PD078A

Package Contents

Check the package and contents for visible damage. If any components are damaged or missing, contact the Seon Service team and request an RMA (Return Material Authorization).

Package contents:

- Camera
- Drill Template (part # 700-1329)
- Foam Pad (part # 680-1024)
- Torx Security Wrench (part # 645-1019)
- Weatherproof cap for RJ45 connector (part # C5CAP)
- Qty 2 - #10, 1" Mounting Screws (part # 600-1083)

Cable Requirements

It is recommended that camera harnesses be purchased directly from Safe Fleet. All network cabling must be installed according to applicable codes and regulations.

Cable should be CAT5e or CAT6, stranded or solid, 24 AWG or better. Both ends of the camera harness must be terminated with male RJ45 connectors and conform to the same wiring standard (T568A or B). Spliced cables are not acceptable.

Service

If your C5Q1PD Camera is to be returned for service, please call toll free 1.877.630.7366, or 1.844.899.7366, and provide the model and/or serial# of your unit.

Ask for a Return Merchandise Authorization (RMA) number. An RMA# allows the Service Technicians to better track your product when it comes in for service. Please show the RMA# on the outside of the package. ANY PRODUCT SENT WITHOUT AN RMA# MAY BE REFUSED.

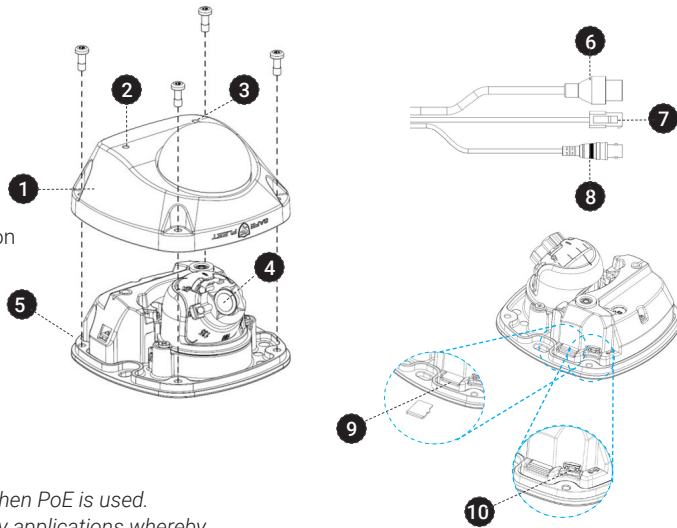
Installation Environment

When installing your product, consider the following:

- **Electrical:** Install electrical wiring carefully. This should be done by qualified service personnel. Always use a proper PoE switch to power the camera.
- **Ventilation:** Ensure that the location planned for the installation of the camera is well ventilated.
- **Temperature:** Do not operate the camera beyond the specified temperature, humidity, or power source ratings. The operating temperature of the camera is between -13°F (-25°C) and 131°F (+55°C).
- **Servicing:** Do not attempt to repair this camera yourself. Any attempt to dismantle this product, except as required for normal installation, will negate the warranty and may also result in injury. Refer all servicing to qualified service personnel.
- **Cleaning:** Do not touch the lens with your fingers. If cleaning is necessary, use a clean soft cloth with isopropyl alcohol and gently wipe the camera.

Camera Components

1. Cover
2. Breather Vent
3. Microphone Hole
4. Lens
5. Base
6. LAN/PoE RJ45 Connection
7. 12V DC Power Input and Analog Audio Output*
8. BNC Connection
9. Micro SD Card Slot
10. Reset Button†

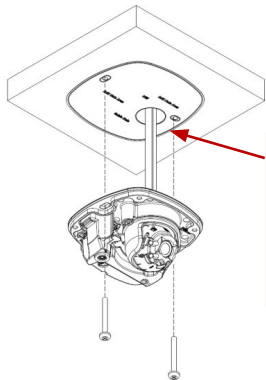


* Connection not necessary when PoE is used. Expected to be used for legacy applications whereby only the SDA video output is used through the BNC connector. Only use a 12-volt regulated power supply from the recorder - 12VDC (9.0V ~ 14.0V).

† To restore all camera settings (including network settings) to factory defaults, press and hold the Reset Button for up to 10 seconds (camera will reboot).

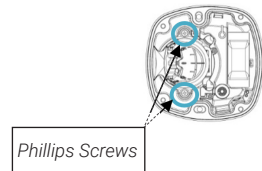
Mounting the Camera

1. Use the supplied template to mark out the mounting area. Drill the screw holes and cable hole on the surface.
2. Pull the camera harness through the cable hole and make required connections to the pigtail.
3. Loosen the cover screws to remove the cover from the camera base and fix the mounting base to the ceiling with the appropriate screws.

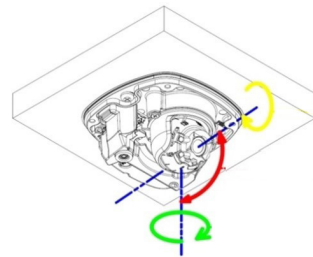


For curved mounting surfaces, insert the foam pad (see the note on the following page).

4. Loosen the Phillips screws on each side of the gimbal to adjust the pan, tilt, and rotation angle, then re-tighten the screws.



Phillips Screws



5. Finally, re-install the cover using the cover screws.
 - Torque the cover-to-base captive screws to 15 kgf-cm (13 in-lb).

Mounting the Camera (continued)

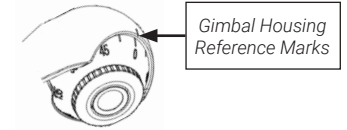
NOTE: Foam Pad (optional)

For curved mounting surfaces: remove the backing from the supplied foam pad and stick the pad to the camera base before mounting the camera.

Do not use the foam pad on flat mounting surfaces.

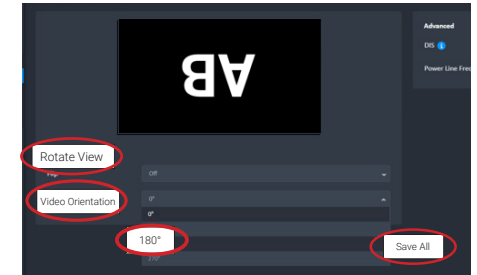
Important: Positioning the Lens - Image Orientation

Check the camera image in a monitor and fine-tune the gimbal position accordingly to achieve the desired view. **The "180" mark on the gimbal housing indicates the top of the rendered image.**



For installations where the camera is mounted vertically, we recommend using the image rotation function available via the camera's Web client to **rotate the camera image 180 degrees:**

1. Follow the steps in "Accessing the Camera Using a Web Browser" on the next page.
2. From **Live View**, use the left-hand navigation bar to select **Image → Image Configs**.
3. Under **Rotate View**, use the **Video Orientation** menu to select **180°**.
4. Select **Save All**.



Important: Air Breather Vent

Note: The camera is designed with a breather vent located on top of the cover (see #2 in the "Camera Components" diagram on the opposite page), which is covered by protective film during shipping; peel off the film when unpacking the camera, and ensure the vent is not blocked after installation.

Fold Here