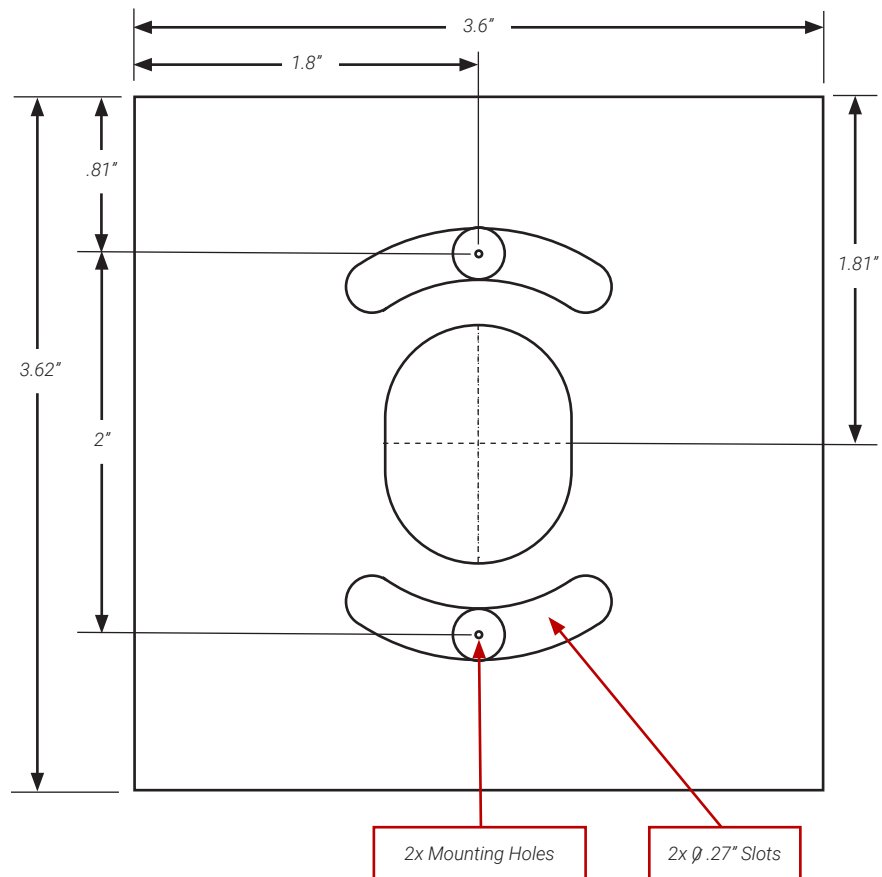


Mounting the bracket template

Use the following mounting bracket template to mark the positions of the mounting and cable entry holes on the mounting surface.



Support

- Phone: **1.844.899.7366**
- Email: **PTsupport@safefleet.net**

Documentation

Additional copies of this guide, along with other supporting documentation can be found on the Safe Fleet Community:

- <https://community.safefleet.net>

Information is subject to change without notice. Please check Safe Fleet Community for the latest version.



2002/96/EC (WEEE directive): This product cannot be disposed of as unsorted municipal waste in the European Union. For proper recycling, return the product to your local supplier upon the purchase of equivalent new equipment, or dispose of it at designated collection points, for more information, see www.recyclethis.info.

2006/66/EC (battery directive): This product does not contain batteries.

C3Q9PD Forward-facing Bracket

Quick Install Guide

For camera models:

C3Q9PD03AF-BK-FF, C3Q9PD04AF-BK-FF

Introduction

Read these instructions before installing this product. A qualified service person, complying with all applicable codes, should perform the installation.

To use this document, you must have the following minimum qualifications:

- Basic knowledge of electronic surveillance systems and components
- Familiarity with electrical wiring and low voltage electrical hookups

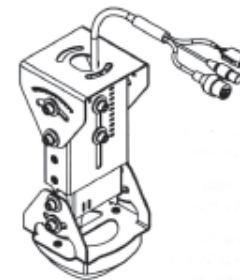
Kit Components

Check components for visible damage. If any components are damaged or missing, contact the Safe Fleet Service team and request an RMA (Return Material Authorization).

- Mounting bracket (MVC-9100-FF-BRKT)
- Bracket set-screw kit (020-1080)
 - Qty 2 1/4" - 20 x 1/2" hex head screws (600-1033)
 - Qty 2 1/4" washers (610-1005)
 - Qty 2 - #8-32, 0.5" camera mounting screws (600-0077)
 - Qty 2 - #8 split ring washers (610-1004)

Installation

You can mount the bracket/camera from above or below (inverted). Some mounting surfaces may require reinforcement to minimize camera vibration. In such cases, place a tapping plate behind the mounting surface.



Bracket Assembly and Camera

Warranty

For full warranty information, visit:

www.seon.com/documents/Seon-Warranty.pdf

Service

If your C3Q9PD bracket is to be returned for service, please call toll free 1.877.630.7366, or 1.844.899.7366, and provide the model and/or serial# of your unit.

Ask for a Return Merchandise Authorization (RMA) number. An RMA# allows the Service Technicians to better track your product when it comes in for service. Please show the RMA# on the outside of the package. ANY PRODUCT SENT WITHOUT AN RMA# MAY BE REFUSED.

Mounting the bracket assembly

1. Position the unit on the mounting surface so the lens points toward the area you want to view.

❗ Camera proximity to windshield

Install the camera close enough to the windshield to prevent glare, and far away enough to not vibrate against the windshield (about $\frac{3}{4}$ " or 20mm is recommended).

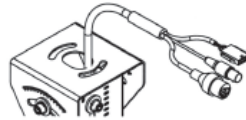
2. Use the provided template (see *Mounting bracket template*, on the back page of this guide) to mark the positions of the mounting and cable entry holes on the mounting surface.
3. Following local codes, cut the cable entry hole, then drill and prepare the mounting holes for the type of surface and fasteners you are using.

❗ Fasteners

We recommend using Rivnuts, #10-32 screws, and lock washers to mount the camera. Consider applying blue Loctite to the screws.

Wiring

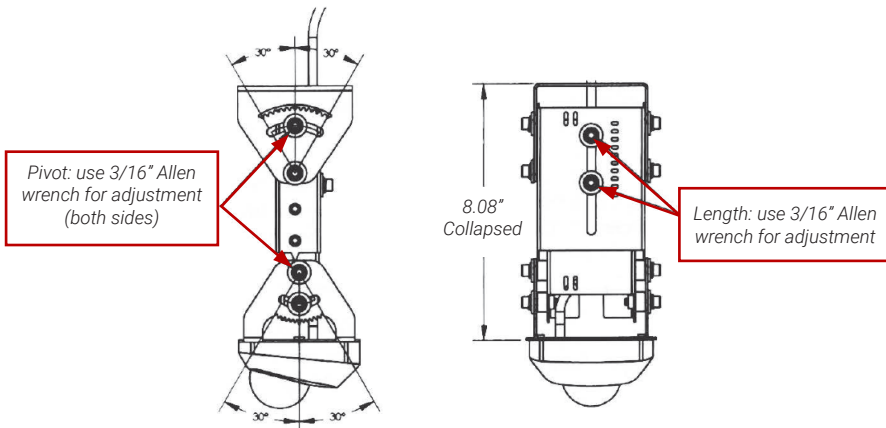
Run extension cables between the vehicle's video recorder and the camera. For more information, see the *C3Q9PD Quick Install Guide* (part #700-1162).



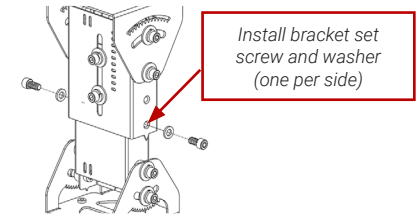
Adjusting the bracket

The angle and length of the bracket assembly can be adjusted, as follows:

1. Loosen the 8 upper and lower pivot screws (see the diagram on the lower left) and the 2 length adjustment screws (see the diagram on the lower right).
2. Set the bracket assembly to the desired length and angle.
3. When the field of view and bracket adjustments are complete, tighten all upper and lower pivot screws and both length adjustment screws. Consider using blue Loctite.



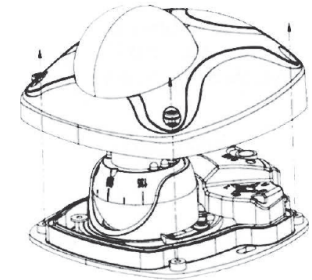
4. Place a washer (610-1005) on each bracket set screw (600-1033) and thread the screws into the inner slide bracket, as shown. Tighten the screws until they are fully inserted.



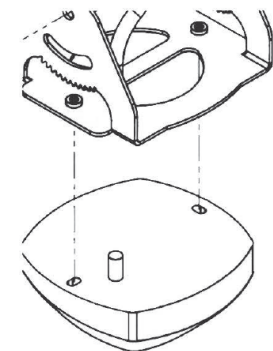
Installing the camera

To install the camera on the bracket:

1. Loosen the cover screws, and remove the cover from the camera, as shown.



2. Use the two provided #8-32 screws, with lock washers, to mount the camera to the bracket.



3. Visually check to ensure you did not accidentally rotate the foam ring around the lens - both the small lens adjusting holes should still be visible. Ensure the rubber cap is still present over the microphone (see the *C3Q9PD Quick Install Guide* for details).
4. Verify the field of view.
5. Re-install the cover using the cover screws.

💡 Camera IR configuration and troubleshooting

By default, IR (infrared) is set to "day" mode (IR permanently OFF). To change the IR setting, access the camera using a Web browser.

For instructions, and more information on camera adjustment, configuration, and troubleshooting, refer to the *C3Q9PD Quick Install Guide* (part #700-1162).

Fold Here