

Configuration

Recorder

For setup procedures, see "Camera Settings → Configuring Video Sources" (RTSP) in the recorder documentation applicable to your installation:

- *TH8 Installation and Configuration Guide* (part #700-1123)*

* TH8 recorders also require installation of a POE injector. For more information, see the *TH8 & NH16K 48 V POE Injector Quick Installation Guide* (part # 700-1228).

- *NH16 Hybrid NVR Installation and Configuration Guide* (part #700-1223)

For specific configuration details, please see the RTSP information card (part #700-1237) included with your camera.

Camera Settings

If you need to modify the default video frame-rate, resolution, or bit-rate, see the [Safe Fleet Community Installer Resources](#) page for instructions on using the Web client to apply custom C12F2PD settings.

NOTE: Image focus

The camera is focused at the factory with the dome lid in place. Therefore, the image may appear slightly softer without the dome cover installed.

Service & Support

If your 360° camera is to be returned for service, please contact the Safe Fleet technical support team, provide the part and/or serial # of your unit, and ask for a **Return Merchandise Authorization (RMA)** number.

An **RMA #** allows the support team to better track your product when it comes in for service. Please show the RMA # on the **outside** of the package.

ANY PRODUCT SENT WITHOUT AN RMA# MAY BE REFUSED!

Documentation and Warranty

Additional copies of this guide along with other documentation and product warranty can be found on the Safe Fleet Community website: <https://community.safefleet.net>

Technical Support

Phone: 1.844.899.7366

Email: PTsupport@safefleet.net



C12F2PD 360° Fisheye Camera

Quick Installation Guide

This guide covers installation procedures for the camera model

C12F2PD02A.

The camera is designed for interior use only.



Installation Kit Contents

Check the package and contents for visible damage. If any components are damaged or missing, contact the Safe Fleet Service team and request an RMA (Return Material Authorization).

General purpose components

- Camera, including dome (C12F2PD02A)
- T20 Torx security wrench (645-1001)
- Drill template (700-1241)
- Qty. 2 #10 x 1" mounting screws (600-0034)
- Ethernet (CAT6) patch cable – one of:
 - 20-ft/6.1m length (MSS-4030-20-02-ETH-WP)
 - 50-ft/15.24m length (MSS-4030-50-02-ETH-WP)
 - 75-ft/22.86m length (MSS-4030-75-02-ETH-WP)
- RJ45 Weatherproof cap (HQCAP2)
- RTSP information card (700-1237)

Cable Requirements

We recommend purchasing camera harnesses directly from Safe Fleet. All network cabling must be installed according to applicable codes and regulations.

Cable should be CAT5e or CAT6, stranded or solid, 24 AWG or better. Both ends must be terminated with male RJ45 connectors, and should conform to TIA/EIA-568-B standards. Spliced cables are not acceptable.

Installation Environment

When installing the camera, consider the following:

- **Electrical:** Install electrical wiring carefully. This should be done by qualified service personnel. Always use a proper PoE switch to power the camera.
- **Ventilation:** Ensure the location planned for the camera installation is well-ventilated.
- **Temperature:** Do not operate the camera beyond the specified temperature, humidity, or power source ratings. The operating temperature of the camera is between -20°C and +50°C (-4°F to +122°F).
- **Servicing:** Do not attempt to repair this camera yourself. Any attempt to dismantle the product, except as required for normal installation, will negate the warranty, and may also result in injury. Refer all servicing to qualified service personnel.
- **Cleaning:** Do not touch the lens with your fingers. If cleaning is necessary, use a clean, soft cloth with isopropyl alcohol and gently wipe the camera.



2002/96/EC (WEEE directive): This product cannot be disposed of as unsorted municipal waste in the European Union. For proper recycling, return the product to your local supplier upon the purchase of equivalent new equipment, or dispose of it at designated collection points, for more information, see www.recyclethis.info.
2006/66/EC (battery directive): This product does not contain batteries.

Camera Components

1. Dome cover
2. Light sensor input
3. Microphone hole
4. Light sensor
5. Fisheye lens
6. Micro SD card slot (*not supported*)
7. Reset button
8. RJ45 connector*

*Other input/output connectors are not supported

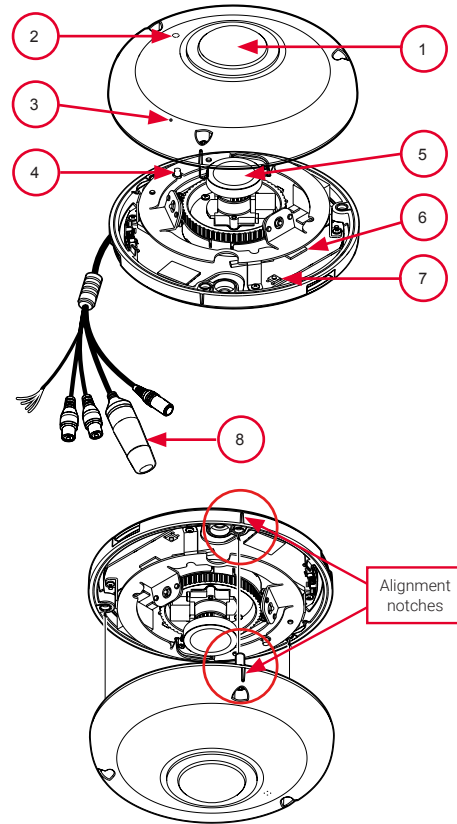
Opening the Camera

Before installing the camera, remove the dome cover from the camera base:

- Use the Torx security wrench supplied with the camera to loosen the three captive screws and detach the dome cover.

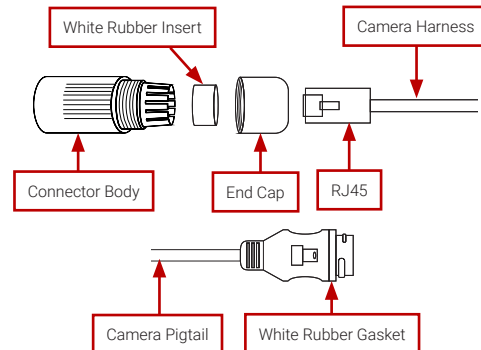
TIP: Base/dome alignment

Align the notches on the dome cover and base to ensure parts fit correctly when re-assembling the camera.



Connecting the RJ45 Cable with Weatherproof Cap

- Slide the End Cap over the RJ45 and onto the Camera Harness cable.
- Push the Camera Harness cable through the cutout in the White Rubber Insert, so the insert sits on the cable between the End Cap and the RJ45.
- Slide the Connector Body onto the cable ("finger" side first).
- Push the White Rubber Insert inside the Connector Body.
- Slide the supplied White Rubber Gasket onto the Camera Pigtail barrel connector as shown.
- Connect the male RJ45 on the Camera Harness to the female RJ45 jack on the Camera Pigtail.
- Slide the Connector Body up to the Camera Pigtail's Barrel Connector and twist the body clockwise to lock it.
- Install the End Cap and tighten clockwise.



Mounting the Camera

IMPORTANT: Do not block camera cover

Ensure the light sensor input and the microphone hole (see "Camera Components" - #2 and #3) are not obscured, or the camera may not function properly.

- Use the supplied mounting template to mark and drill the 2 screw holes on the mounting surface.
- Following local codes, cut the cable entry hole.
- Pull the camera harness through the cable hole.
- Install the weatherproof cap and connect the network cable (see "Connecting the RJ45 Cable with Weatherproof Cap" on the previous page).
- Use the supplied #10 x 1" screws to secure the camera to the mounting surface.
- Replace the camera dome cover:
 - Align the camera base and dome, then use the supplied Torx security wrench to tighten the captive screws (see "Opening the Camera" on the previous page).
- Remove the protective film from the top of the dome cover.

Image Orientation

Depending on the mounting position, grasp the lens and rotate the gimbal to achieve proper image orientation. **Take care not to excessively rotate the assembly.**

Use the small "stick man" icon displayed on the gimbal assembly below the lens as a guide:



Wall mount: rotate until the icon is upright.

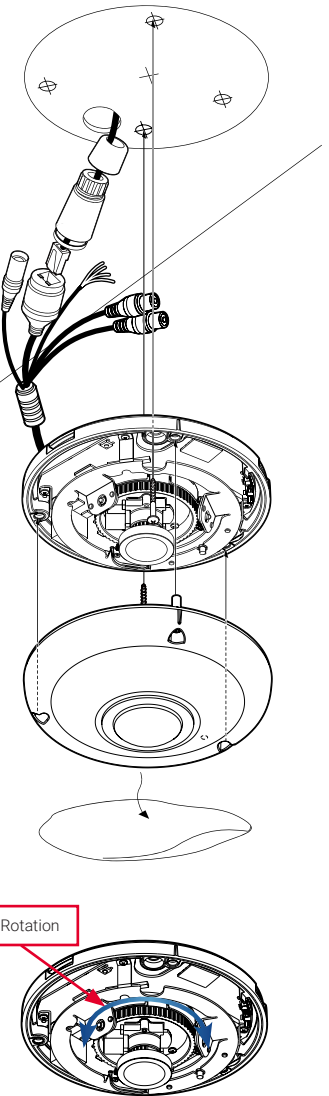
Ceiling mount: the upright icon indicates the center of the de-warped image.

Aligning the camera view (live feed)

There are two methods to access a live video feed:

- Browse to the camera's Web client - see the C12F2PD tutorial on [Safe Fleet Community Installer Resources page](#) for instructions on accessing the Live Viewer.
- Connect to the recorder - plug a monitor into the local video out and navigate to the on-screen display's live camera view.

Gimbal Rotation



TIP: Fisheye image configuration

The C12F2PD camera outputs a 360-degree fisheye image.

Image "de-warping" and configuration are performed in Evidence Manager video review software. For more information, see the *Evidence Manager User Guide* (part #700-1157).